

Brave Universal DoorPhone - Brave Steel

Basic features

- Voice communication is powered from a telephone line
- Tone (DTMF) and pulse dialing
- Storage for two 24-digit long numbers per button
- Day/Night switch by a DTMF code or automatic (programmed weekly - internal RTC clock)
- Connect two independent electrical locks
- Potential to use up to 8 relay modes
- Two codes to open doors from the phone for 1-impulse and two codes for 2-impulse
- 18 codes locks for each relay (code from buttons)
- Option to connect an exit button
- Configurable:
 - disconnect a call by the repeated pressing of a same button
 - switch on a 'baby call' mode (no number dialling)
 - switch on a 'ticking' sound into a call to announce another call
 - switch on acoustic signalling for relay connection
 - power from an internal 12V supply (replaces Best Box)
- Programmable parameters for tone options Flash length and Pause length;
- Programmable parameters for acoustic signalisation
- Programmable parameters for tone detection
- Electronic volume setting without the need to open the front cover
- Programmable with PC, via USB cable, and remote DTMF programming;
- Integrated regulated heating of the PCB;
- Switchable name tag lighting;
- Unit earthed for better protection against static electricity



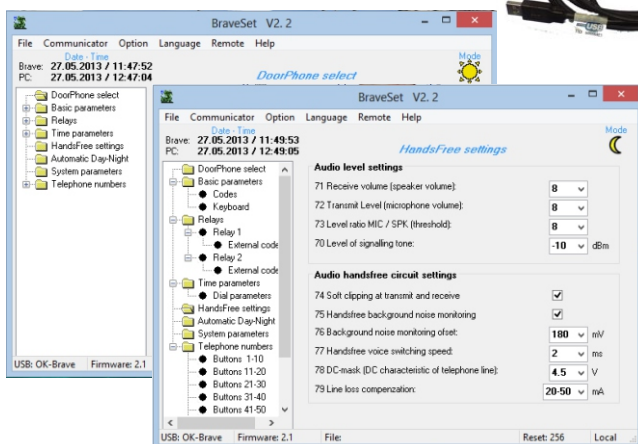
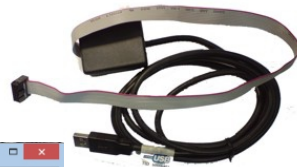
Assembly

basic modules **BS-00, BS-01, BS-02**
expand modules **BSC-mod4, BSM-mod4**
keyboard **BSKey**

The basic 'STEEL' versions of the door entry system, contain a motherboard fitted with requisite connection and structural components according to the module version. The basic module is equipped with one, two or no buttons.

It is possible to extend the basic module with modules BSC-mod4 up to 99 buttons.

Connecting the keyboard module is done with a flat cable like BSC-mod4, the only difference is that the keyboard module can only be connected to the first 8 places following the basic module, which means that there can be only 58 buttons before the keyboard. The buttons can continue up to a 99 after the keyboard.



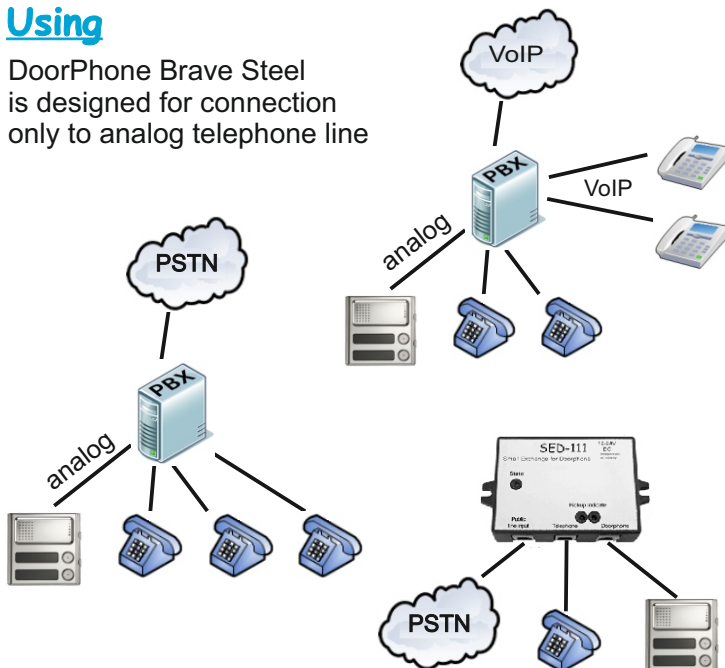
Accessories

- Basic module 2 buttons **BS-02C**
- Basic module 1 button **BS-01C**
- Basic module without buttons **BS-00C**
- Button module **BSC-mod4**
- Button module **BSM-mod4**
- Button module keyboard **BSKey**
- Add on module **Blanking plug**
- Add on module **Tag card**
- Assembly box for bellow plaster
- Mounting frame and cover frame
- Roof for bellow plaster
- Frame for bellow plaster
- Rain cover - compact for assembly on plaster



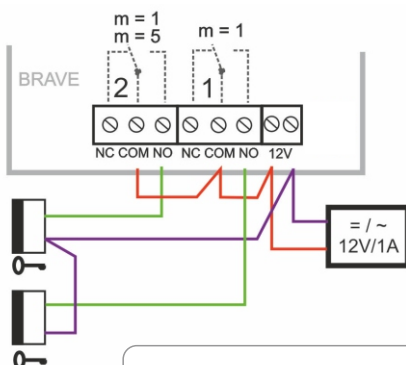
Using

DoorPhone Brave Steel is designed for connection only to analog telephone line



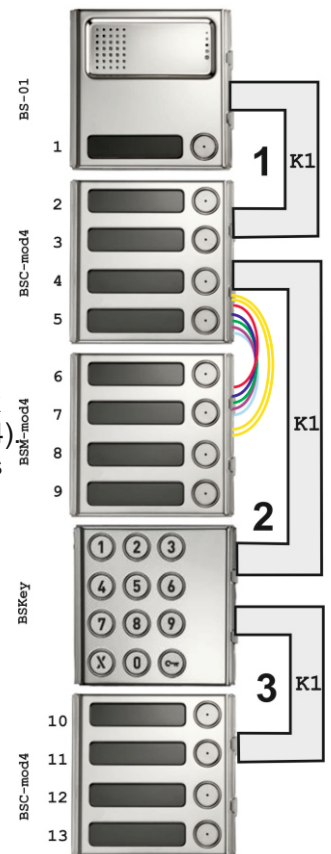
Relays

Wiring 2 switches and 8 modes of each switch allows large variability using



Wiring expand modules

Module BSC-mod4 has 4 buttons and contains the electronics for connection to the basic module, or to a **BSC-mod4 / BSKey**. This module is connected with a flat cable - the buttons and back lighting are already connected. On the module there are also terminals for connecting 4 additional buttons as well as the power supply for the name tag back lighting (following BSM-mod4) Module BSM-mod4 is always connected to the previous (i.e. in line from the basic module) BSC-mod4. The connection is not prepared and it will be necessary to connect it with conductors



Electrical parameters

Parameter	Value	Conditions
Minimum line current	18mA	Line picked up
Minimum line voltage	18V	Line disconnected
Voltage on the line when Brave picks up (VA characteristic)	< 8V	I = 20mA
	< 12V	I = 60 mA
Lead in in disconnected state	< 30uA	U = 60V
Impedance of line ending	220R + 820R paral. 115nF	Line picked up
Bandwidth	300Hz – 3400 Hz	20 – 60mA
Impedence of ringing	> 2Kohm	25 – 60 Hz
Sensitivity of ringing detector	min. 10 – 25 V	
Impulse choice	40 / 60 ms	
Level of tone choice	-6 a -8 dB	20 – 60 mA
Sensitivity of tone choice	min. -40 dB	20 – 60 mA
Sensitivity of tone detector	min. -30 dB	20 – 60 mA
Power supply for name tag back lighting, relay, heating and current circuit for exit button	12V DC(11V-24V) , 12V AC(10V-18V)	
Max off take of backlighting and heating	250mA	12Vss
Max. Voltage of relay contact	48V	When I < 1A
Max. Current of relay contact	1,5A	When U < 30 V
Operating temperature	- 20 to + 60 st.	
Level of cover	IP45	
Weight	Depends on variation and composition	

Mechanical dimensions

Type of item	dimensions HxWxL [mm]			
	1 module	2 modules	3 modules	4 modules
Module	90 x 90			
Assembly box	118x118x45	208x118x45	298x118x45	388x118x45
Frame cover	127x125x12	217x125x12	307x125x12	397x125x12
Roof	152x157x50	242x157x50	332x157x50	422x157x50
Rain cover	152x157x79	242x157x79	332x157x79	422x157x79