



The status reading of relays is done acoustically. Two short tones  means relay is switch off, long tone  means the relay is switch on.

The command 52 is progressively reading status of all relays from 1 to 4. Example of command 52:

relay switch on: yes no no yes
 signalization:    

PROGRAMMING

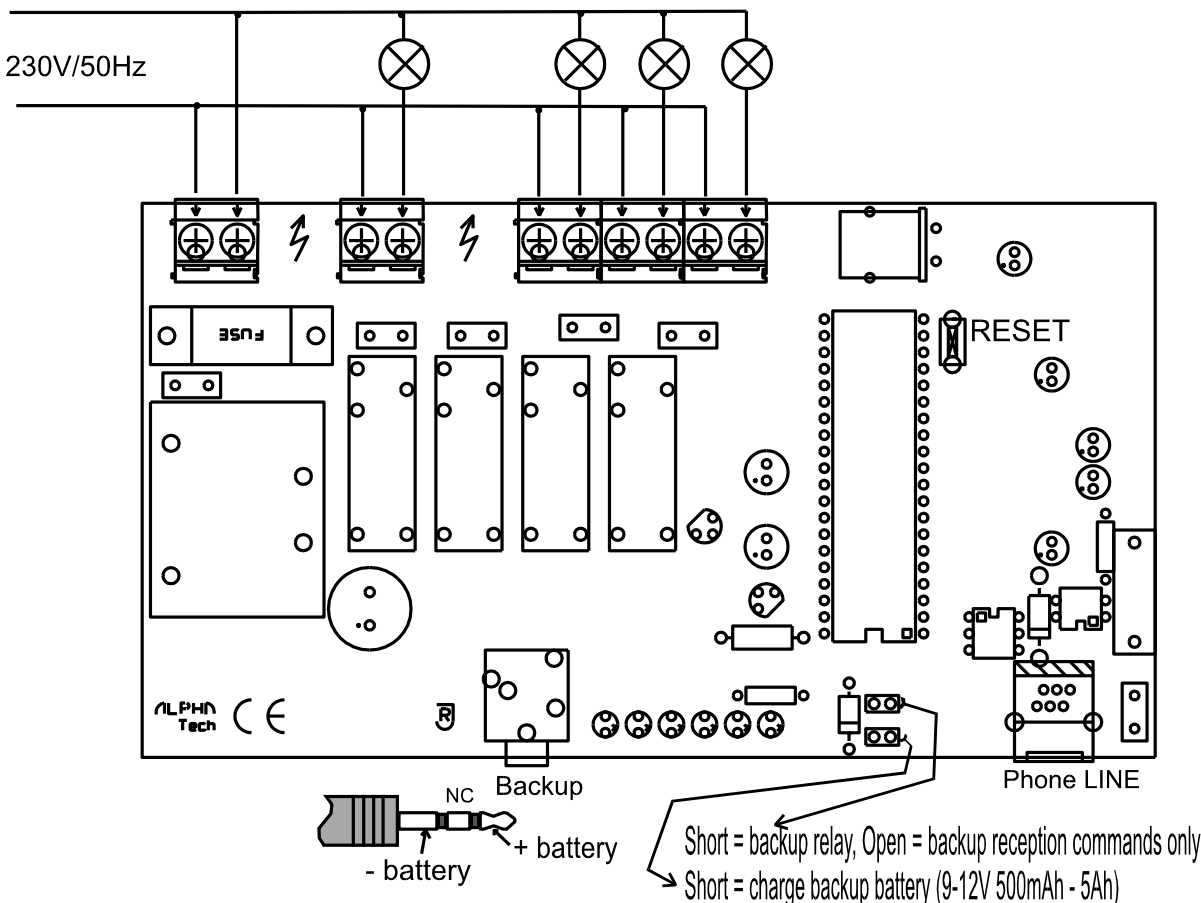
To programming enter by command * 9. The beeping is changing from period 3s to period 1s. You can programming as same as control with or without password. The password is adjustable as same as number of ringing before device is picking up.

Command	Function
1h	h=0 password is none, h=1 password is use
2xxxxx	insert of new password (5 digits)
3z	z= 2 ÷ 9 number of ringing before device picking up
4p	p=1-9 pulse 1-9 sec
5 r	r = 0 – 7 time for RECALL in 10xs
9	escape from programming to remote control

When escape from programming to remote control the beeping is changing from 1 sec. to 3 sec. period.

Pulse is inversion actual value, example:

- Relay 1 is switch **on** - command „pulse“ switch relay 1 **off** at „p“ sec and switch **on**
- Relay 2 is switch **off** - command „pulse“ switch relay 1 **on** at „p“ sec and switch **off**



Appendix to manual

Command	Function	Default
5 r	r = 0 – 7 time for RECALL in 10xs	r = 0

Function RECALL:

If r=0 the RECALL feature is switch OFF and Lineswitch pick up after number of ringing preprogrammed in parametr z.

If r=1 to 7 then Lineswitch during first call doesnt pick up, but when wait min 7,5 sec. (we recommend 10 sec) And call again then Lineswitch pick up a call after number of ringing preprogrammed in parametr z.

By parametr r you programm a time in 10 sec how long Lineswitch wait (when protected time 7,5 sec is over) for last ring when it has been picked up. When last ring is coming after preprogrammed timeout then Lineswitch doesnt pick up.

Caution: Dont programm short time for second ring and big number of ringing for picking up.

Change of SW: Change processor and make a reset vi reset button.

Hold on reset button and connect power supply after 3-4 seconds release reset button and disconnect power supply.