

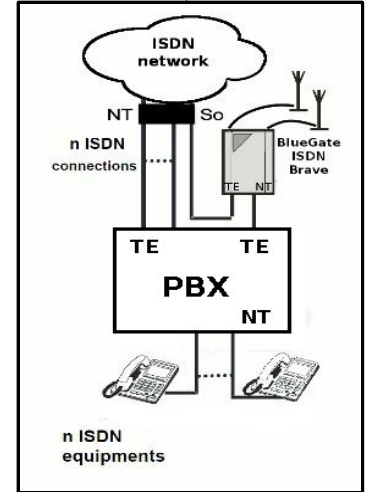
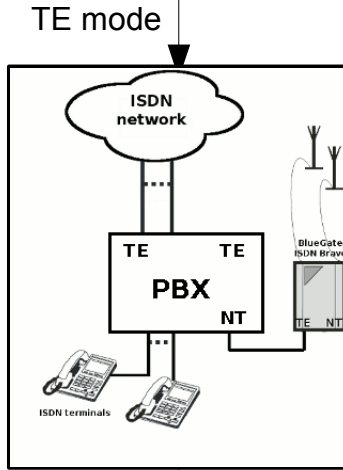
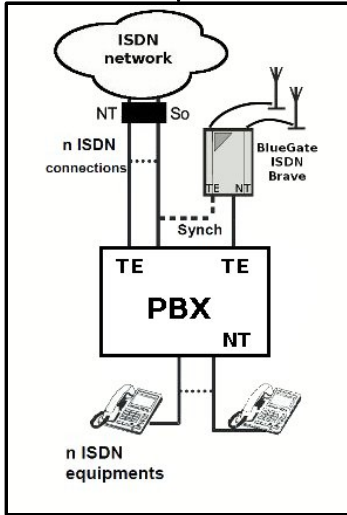
Quick Start of Blue gate ISDN Brave

Start

Install BlueGate ISDN Brave Configuration software on your PC. Please, follow instructions in [Installation.pdf](#).

Synchro Router

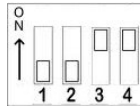
Mode?



Set switches for terminal rezistors

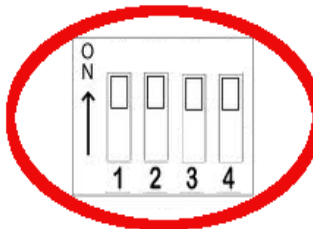
Open the box and set switches for terminal rezistors.

There are 4 switches for connecting 100 Ohm terminal rezistors. Switches 1, 2 are used for TE mode, switches 3, 4 are used for NT mode.

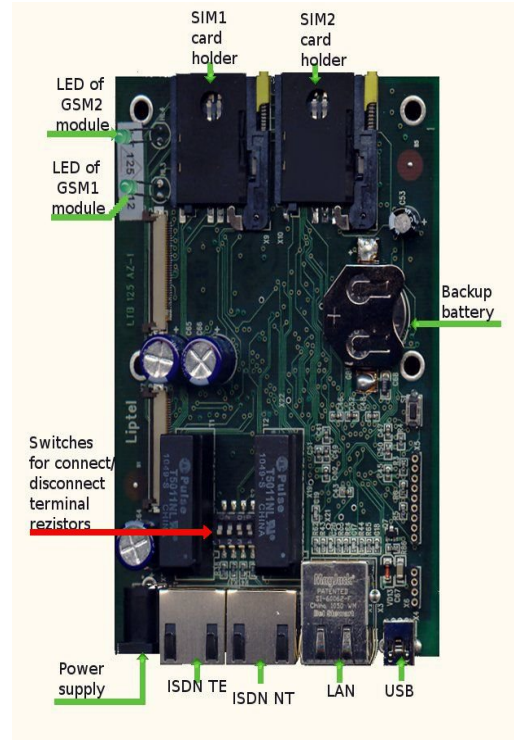


Default setting is TE - off, NT - on (Synchro mode).

Settings for Router or TE mode



NOTE: To activate, push buttons up. (This diagram shows all segments in the ON position)



Does SIM card have PIN code?

Yes

Find out PIN code (at various mobile phone) and remember it. When you run Configuration SW you can type it in configuration data.

No

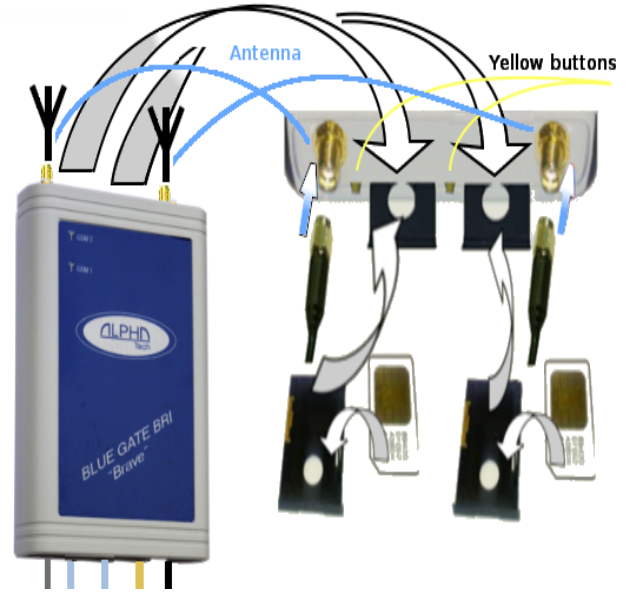
Insert SIM card

By pressing of yellow button release the SIM card holder.
Insert the SIM card and replace the SIM card holder.

Insert antenna

The available place for installation select up following point of view:

1. Distance from PBX lines – possibility of GSM interferences
2. Main 230 V for power supply of BlueGate ISDN Brave
3. Quality of GSM signal at the installation place



Correctly connect USB cable
and ISDN lines

Connect device to main 230V
INPUT : 100-240V 0.7A 50/60Hz
OUTPUT : 5V 3A
DC Plug Dimension : 5.5mm x 2.5mm.

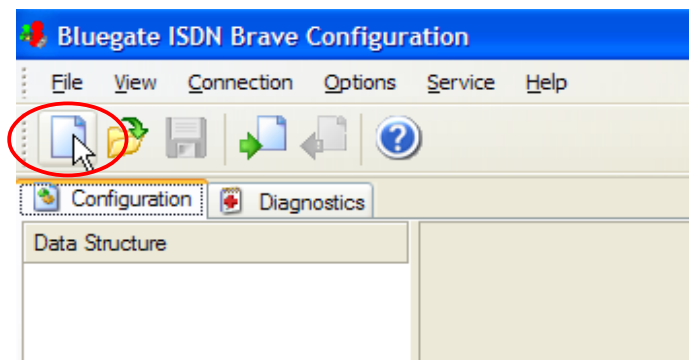


Set initial parameters of Bluegate ISDN Brave Configuration SW on the PC
to work device correctly.

Start Bluegate ISDN Brave Configuration



Click on New File



Set at least the following parameters:

You can assign the name of your equipment

Gateway Identification

Name

Blue Gate Brave1

If you want to use network connection set all parameters.

Network Setting for Remote Access

IP address	0 . 0 . 0 . 0
Subnet mask	255 . 255 . 255 . 0
Default gateway	0 . 0 . 0 . 0
Port number	1002
Preferred DNS server	0 . 0 . 0 . 0
Alternate DNS server	0 . 0 . 0 . 0

File View Connection Options

Configuration Diagnostics

Data Structure

- Bluegate ISDN Brave Data
 - System
 - General
 - Network
 - Alarm Indication
 - CDR
 - Credits
 - SMS Messages
 - ISDN
 - Common
 - Lines
 - GSM
 - GSM Modules
 - GSM Incoming Groups
 - GSM Outgoing Groups
 - LCR
 - CLIP Table
 - Routing Table
 - CLIP from GSM
 - CLIP from GSM
 - Mobility Extension
 - Mobility Extension Numbers
 - Working Hours

Dial tone

- No dial tone
- Continuous tone
- Tone Morse A

Choose the proper Dial tone

Select the mode that you want to use
Suppose you set the correct switches
for connecting 100 Ohm terminal resistors

ISDN Mode

- Synchro
- Router
- TE mode

Set parameters for NT mode according
to the connected PBX.

ISDN Mode A - NT B - TE

ISDN Mode

- Synchro
- Router
- TE mode

Protocol

Signalization

DSS1

- Point to multipoint
- Point to point

L1 Parameters

- Deactivate
- Permanent active

Set parameters for TE mode
In case of Synchro mode no need to adjust
anything, no matter

ISDN Mode A - NT B - TE

ISDN Mode

- Synchro
- Router
- TE mode

Protocol

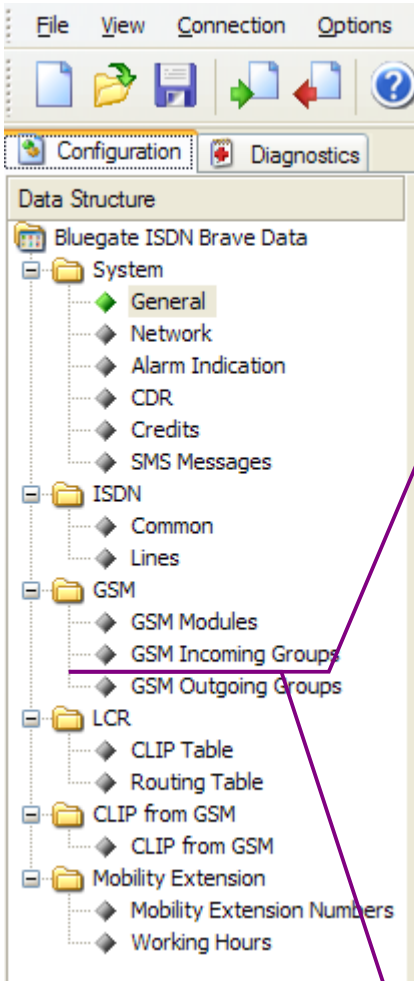
Signalization

DSS1

- Point to multipoint
- Point to point

L1 Parameters

- Deactivate
- Permanent active



Include the GSM modules GSM1 and GSM2 to the appropriate groups.

Assignment to GSM groups

Incoming group selection: Incoming Group 1

Outgoing group selection: Outgoing Group 1

Second outgoing group selection: None

SIM Card 1

PIN Code: 1234

Type PIN code if there is one

If you use DISA (Direct Inward System Access) set time $\neq 0$ and also set the min. and maximum length of DTMF digits

Group 1 Group 2

Mode: Receive All

Waiting for DISA (0 - 60 seconds): 0

Minimal extension length: 3

Maximal extension length: 3

Prefix:

Digits to cut for callback: 0

Prefix for callback:

Output line: A - NT

Use only digits 0, 1, ..., 9 and characters # and *.

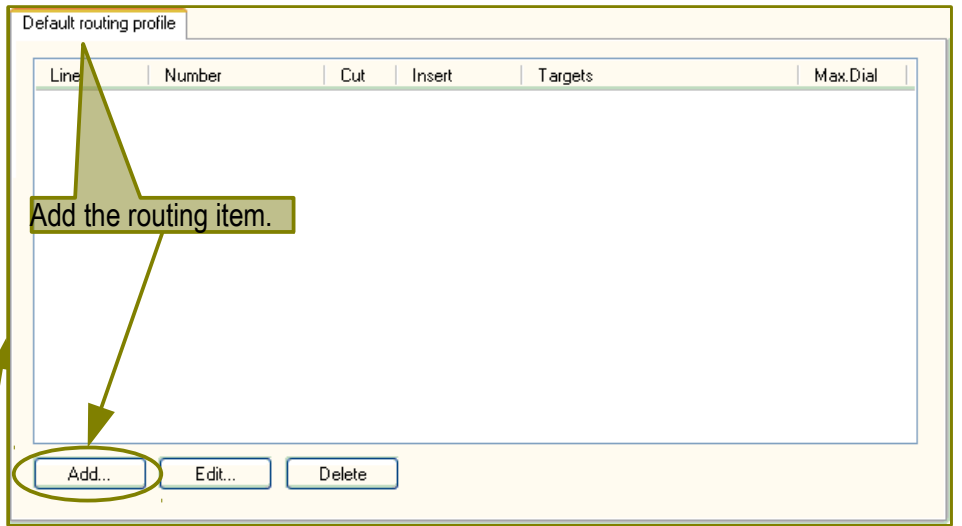
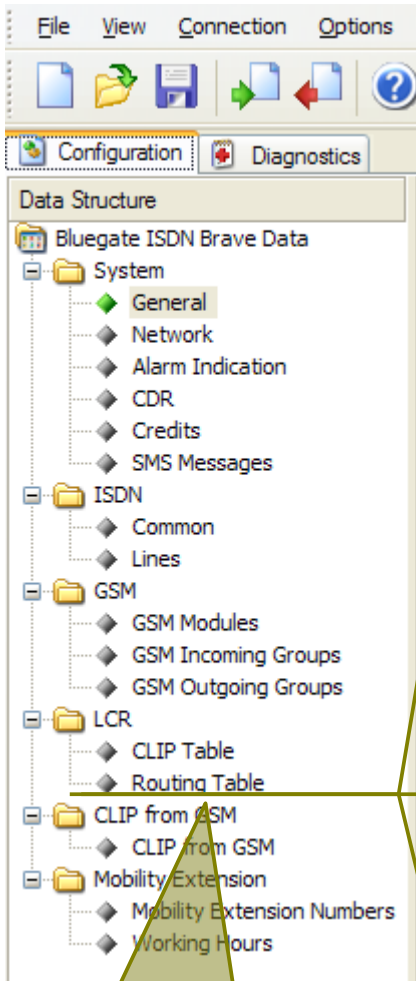
Extensions	Second extensions
262	
262	

Buttons: Add, Delete, Up, Down

Modules in group: GSM1 GSM2

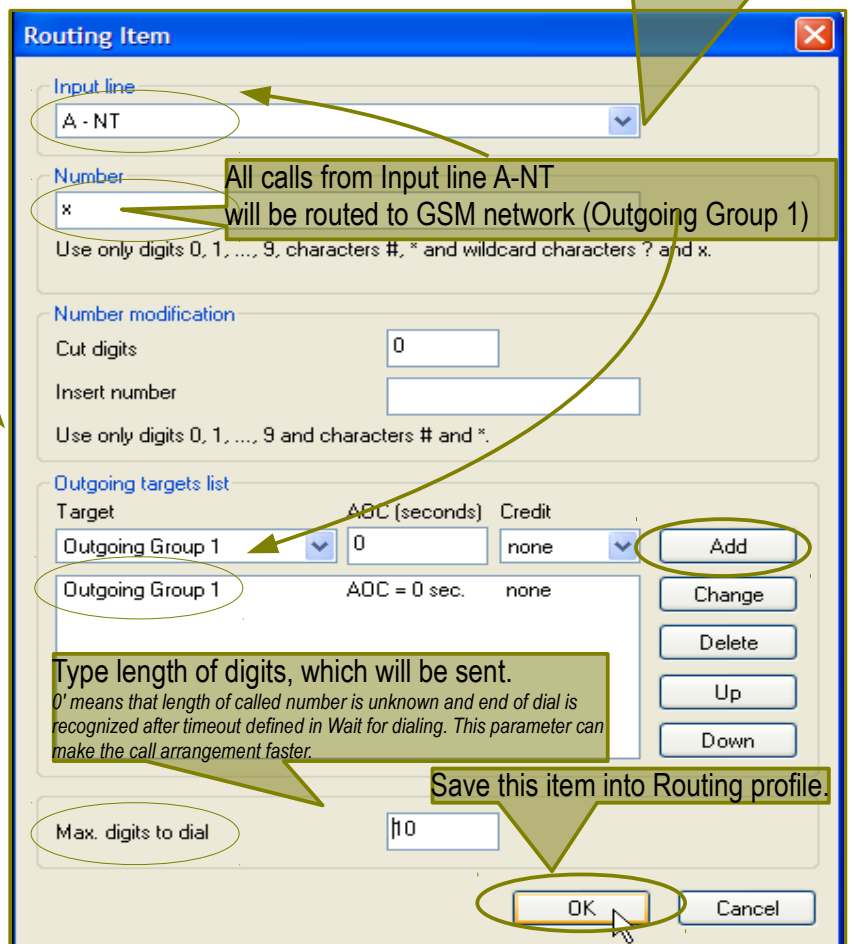
In case of Synchro mode or Router mode select A-NT
In case of ISDN mode TE select output line B-TE

Enter the number where incoming calls are directed.
All calls are routed to the extension entered in this table (in order), if the parameter Waiting for DISA is 0 or number of called digits is less than Minimal extension length. Max. count of this extension is 5.



Add the routing item.

In case of Synchro mode or Router mode select A-NT
In case of ISDN mode TE select output line B-TE.



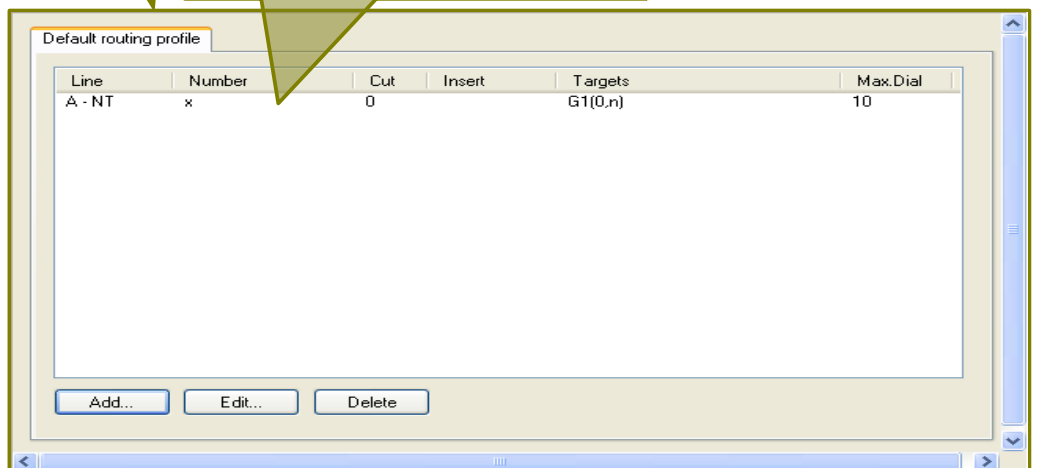
All calls from Input line A-NT
will be routed to GSM network (Outgoing Group 1)

In router mode if any item is not in Routing table
all calls are routed from the PBX to the PSTN
and vice versa.

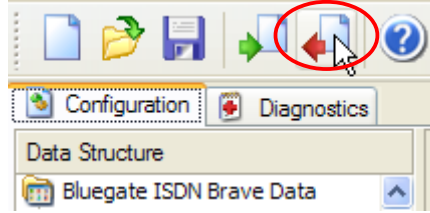
Type length of digits, which will be sent.
0' means that length of called number is unknown and end of dial is
recognized after timeout defined in Wait for dialing. This parameter can
make the call arrangement faster.

Save this item into Routing profile.

One line was added into routing profile..

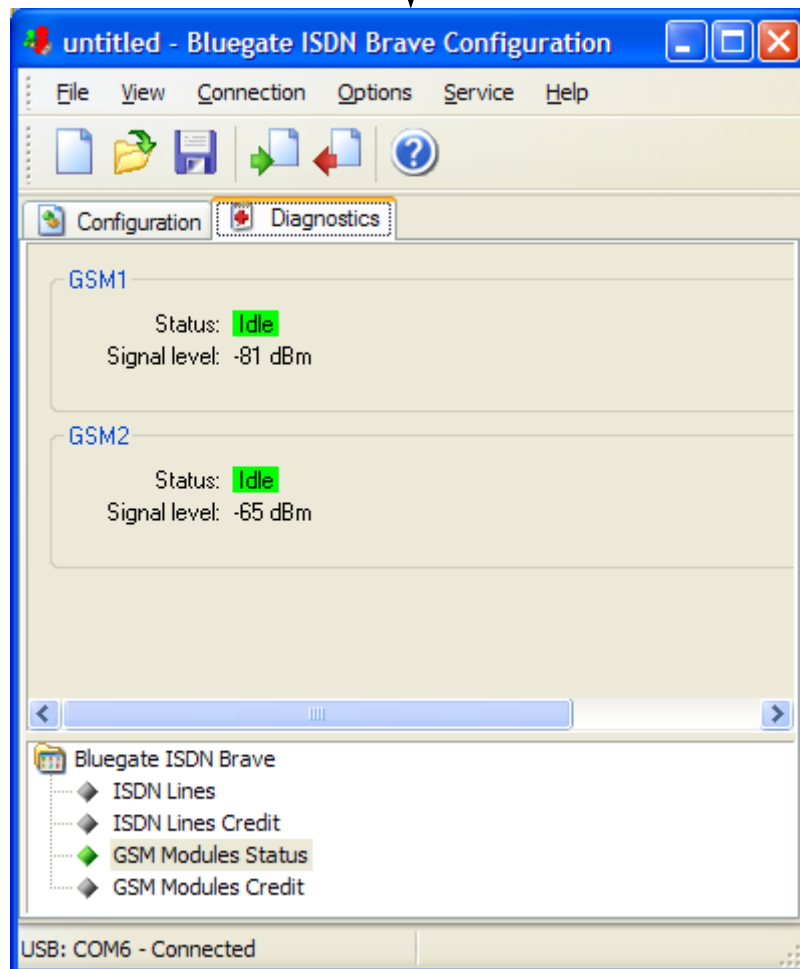


Now it is time to save your setting into device.



After 40 seconds the Led of GSM starts fast blinking. Then if GSM is registered and full service, the Led is blinking slow.

In another case see in Bluegate ISDN Brave Configuration in Diagnostics ->GSM Modules Status what is the matter.



Try to call