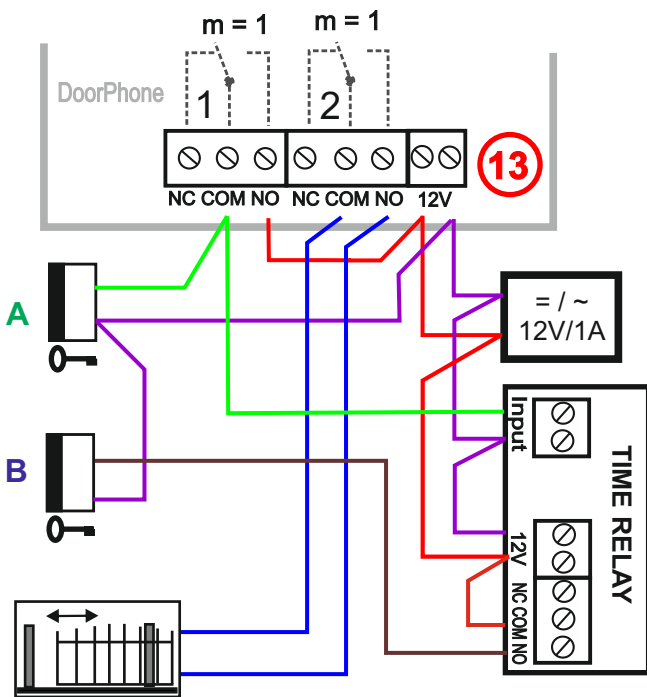
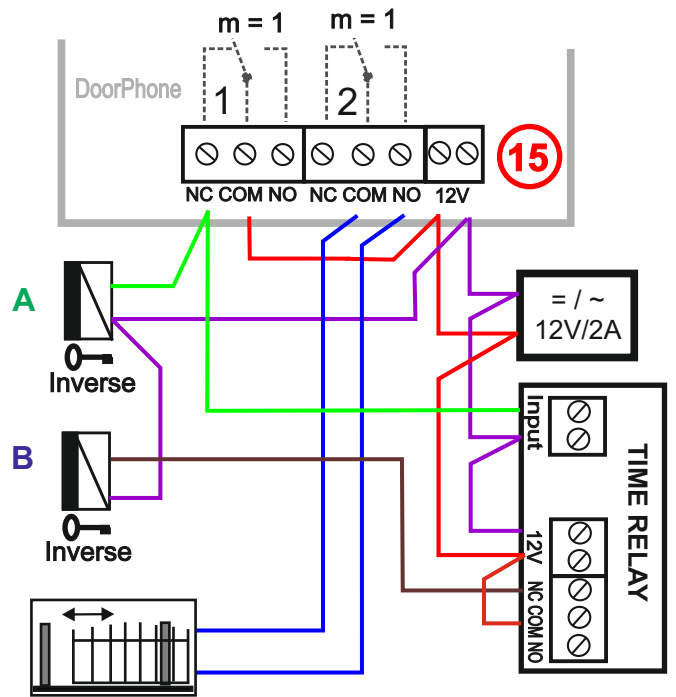


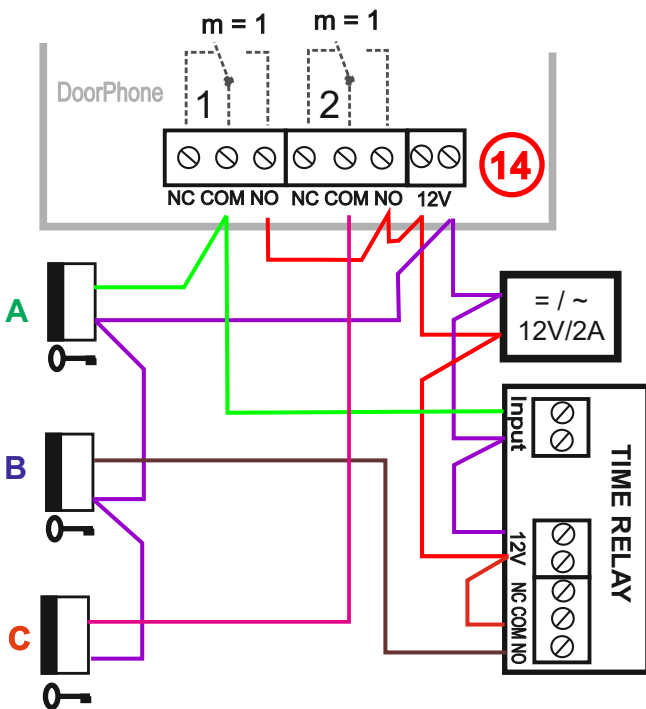
1=A -> t -> B



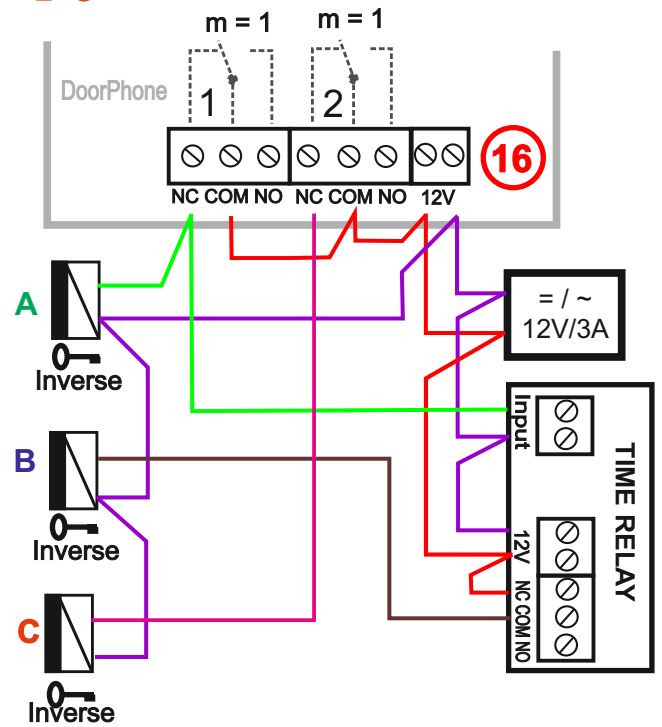
1=A -> t -> B



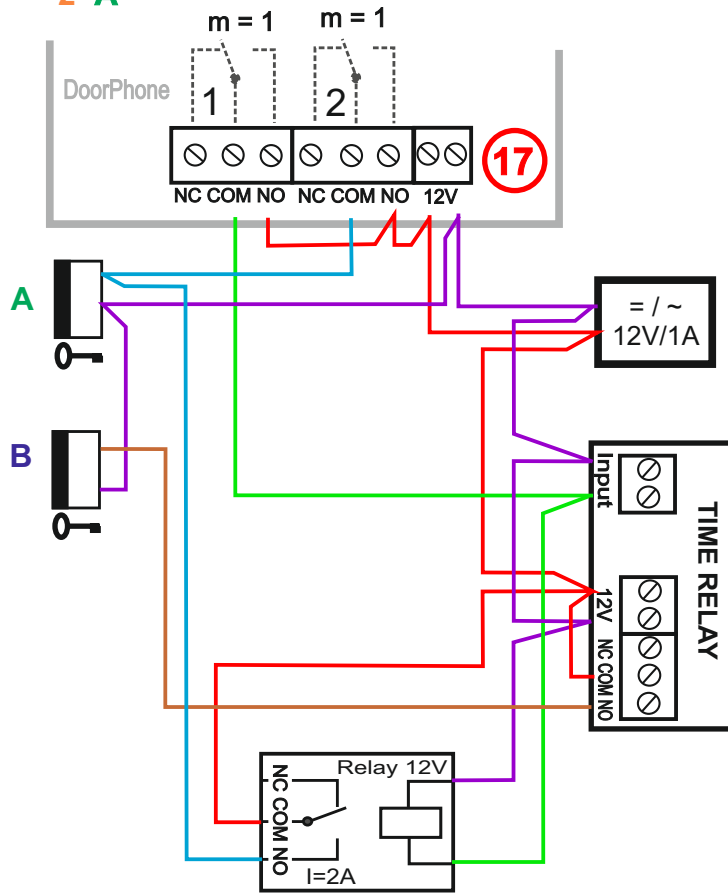
1=A -> t -> B  
2=C



1=A -> t -> B  
2=C



1=A -> t -> B  
2=A



1=A -> t -> B  
2=A

