

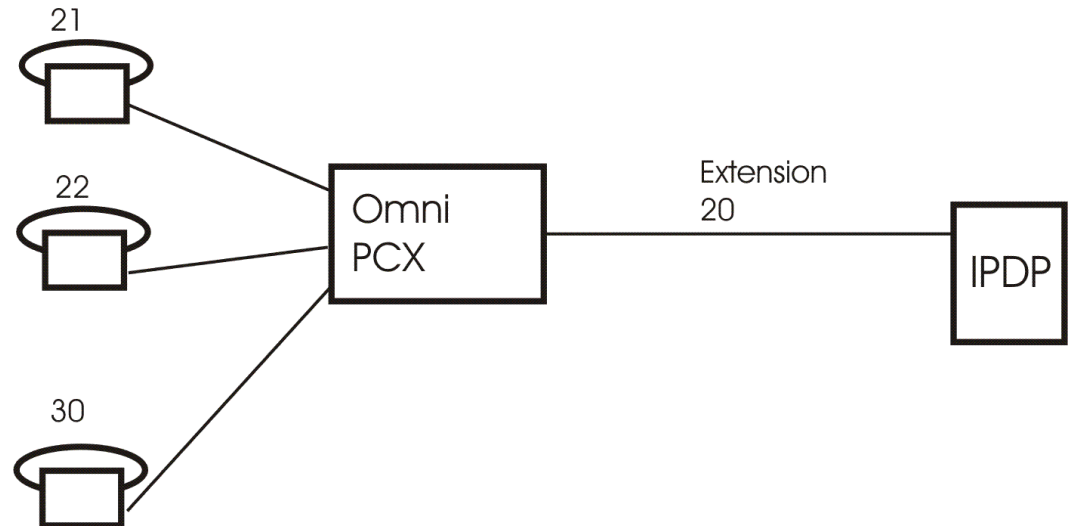
Basic settings on Alcatel OmniPCX office

For Alphatech IPDP door entry phone stations (SIP based VoIP door phones)

Initial values:

For firmware releases from:	R5.1
Tested on version:	7.10.052.007
IP address SIP server:	192.168.1.223
Default gateway:	192.168.1.223
IP address of IPDP:	192.168.1.250
Network mask:	255.255.255.0
Line number IPDP	20 (Host Name)
Door User - Name	
- Password	
Communication	UDP

Principle of connection to IPDP



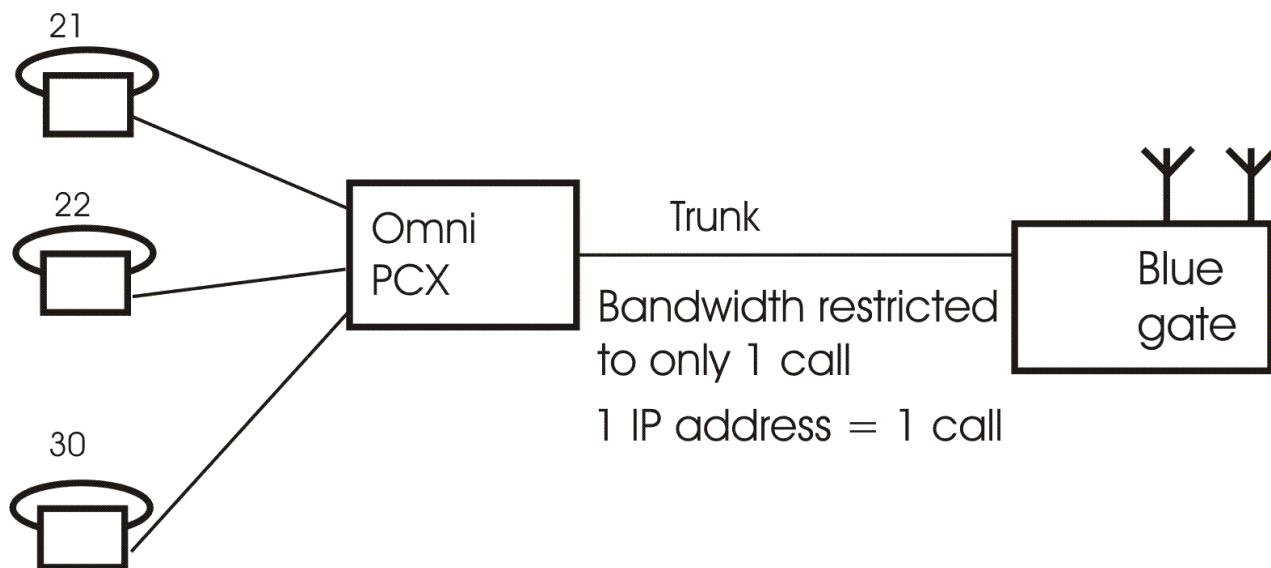
For Alphatech BlueGate SIP (SIP based VoIP-GSM gateway)

Initial values:

For firmware releases from:	R5.1
Tested on version:	7.10.052.007
IP address SIP server:	192.168.1.223
Default gateway:	192.168.1.223
IP address 1. module of BlueGate SIP:	192.168.1.251
IP address 2. module of BlueGate SIP:	192.168.1.252
DISA setting number 1. module:	22
DISA setting number 2. module:	22
Communication:	UDP

License for VoIP trunk is necessary.

Principle of connection to BlueGate SIP



1.VOIP: Parameters (set VoIP protocol to SIP and number of VoIP-Trunk Channels)

OmniPCX Office Management Console - [Database: Alphatech_IPBG5IP_01 Customer ID: Alphatech]

File Comm View Options ?

OMC

Numbering Plans

Numbering Plans

Numbering Plans

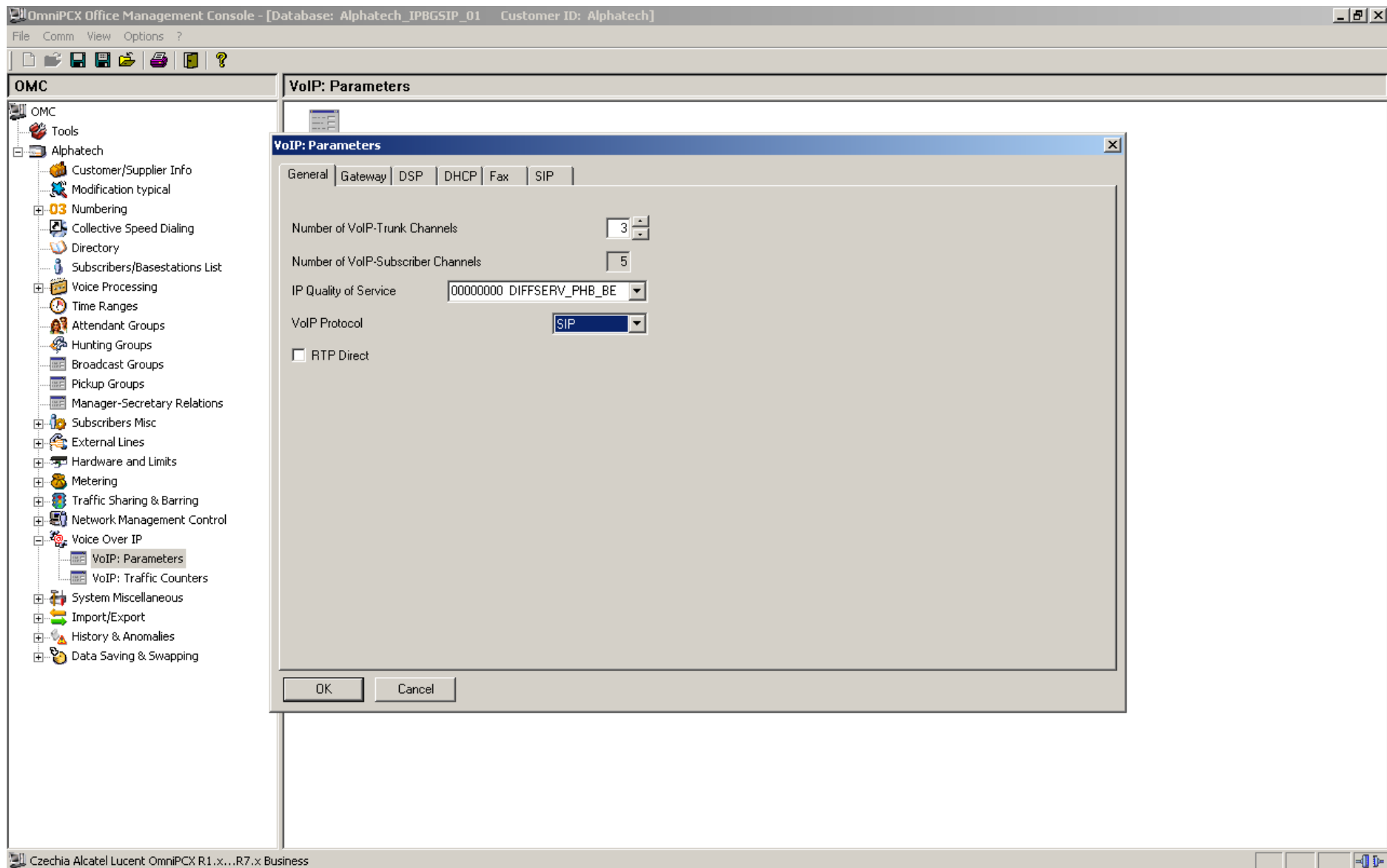
Internal Numbering Plan | Public Numbering Plan | Restricted Public Numbering Plan | Private Numbering Plan

Function	Start	End	Base	NMT	Priv	Fax
Secondary Trunk Group	20	20	ARS	Keep	Yes	
Account Code New	*99	*99		Drop	No	
Main Trunk Group	0	0	ARS	Drop	No	
Secondary Trunk Group	100	199	ARS	Keep	Yes	
Secondary Trunk Group	20	20	ARS	Keep	Yes	
Subscriber	21	29	21	Drop	No	
Secondary Trunk Group	30	30	ARS	Keep	Yes	
Subscriber	490	499	490	Drop	No	
Secondary Trunk Group	500	534	1	Drop	No	
Hunting Group	540	565	540	Drop	No	
ACD Prefix	580	581	0	Drop	No	
Collective Speed Dial	600	699	0	Drop	No	
Attendant Call	9	9	9	Drop	No	

OK Cancel

Czechia Alcatel Lucent OmniPCX R1.x...R7.x Business

2. Numbering Plans – Internal Numbering Plan (extension number 20 for DP)



3. Numbering Plans – Public Numbering Plan (extension number 20 for DP)

The screenshot shows the OmniPCX Office Management Console interface. The main window displays a tree view on the left with 'Numbering Plans' selected. A 'Numbering Plans' dialog box is open, showing the 'Public Numbering Plan' tab. The dialog contains a table with the following data:

Function	Start	End	Base	NMT	Priv	Fax
Secondary Trunk Group	20	20	ARS	Keep	Yes	
Attendant Call	0	0	9	Drop	No	
Subscriber	11	19	11	Drop	No	
Subscriber	21	29	21	Drop	No	
Secondary Trunk Group	30	30	ARS	Keep	Yes	
Subscriber	490	499	490	Drop	No	
Hunting Group	541	549	541	Drop	No	

The dialog also includes buttons for 'Add', 'Delete', 'Modify', 'Up', and 'Down' on the right side, and 'OK' and 'Cancel' at the bottom.

4. List of Access VoIP Trunk

The screenshot shows the OmniPCX Office Management Console interface. The main window title is "OmniPCX Office Management Console - [Database: Alphatech_IPBGSIP_01 Customer ID: Alphatech]". The left sidebar shows a tree view of the system configuration, with "List of Accesses" selected under "External Lines".

The "List of Accesses" dialog box is open, displaying a table with the following data:

<input checked="" type="radio"/> Phy. Add.	<input type="radio"/> Acc. Type	Identifier	No of Chan.
01-001-01	Analog	L001	1
01-002-01	Analog	L002	1
01-003-01	Analog	L003	1
01-004-01	Analog	L004	1
95-001-01	VoIP	V001	3

The dialog box also includes buttons for "Delete", "Details", and "Return".

5. List of Access VoIP Trunk – Details

OmniPCX Office Management Console - [Database: Alphatech_IPBG5IP_01 Customer ID: Alphatech]

File Comm View Options ?

OMC

Tools
Alphatech
Customer/Supplier Info
Modification typical
03 Numbering
Installation Numbers
Default Configuration
Numbering Plans
Features in Conversation
DDI Number Modification Table
Number Modification Table
Splitting Table
End of Dialing Table
Automatic Routing Selection
PTN Conversion
Collective Speed Dialing
Directory
Subscribers/Basestations List
Voice Processing
Time Ranges
Attendant Groups
Hunting Groups
Broadcast Groups
Pickup Groups
Manager-Secretary Relations
Subscribers Misc
External Lines
List of Accesses
List of Trunk Groups
Remote Substitution
Traffic Counters
Protocols
Analog Protocols Selection
Incoming Call Handling
Hardware and Limits
Metering
Traffic Sharing & Barring
Network Management Control

List of Accesses

List of Accesses

Phy. Add.	Acc. Type	Identifier	No of Chan.
01-001-01	Analog	L001	1
01-002-01	Analog	L002	1
01-003-01	Analog	L003	1
01-004-01	Analog	L004	1
95-001-01	VoIP	V001	3

Return

Delete
Details

VoIP-Trunk

Phy. Add.	Type	Identifier	VoIP-Trunk Ch.
95-001-01	VoIP	V001	3

Speed Dial
Call-Dist.
Link-Cat.

Metering Counters
Meter part: 0 Reset
Meter total: 0

Out of Service (logical)
 Public trunk

Alternative CLIP/COLP Number

OK Cancel

Czechia Alcatel Lucent OmniPCX R1.x...R7.x Business

6. List of Access VoIP Trunk – Details – Link cat.

OmniPCX Office Management Console - [Database: Alphatech_IPBG5IP_01 Customer ID: Alphatech]

File Comm View Options ?

OMC

Tools

- Alphatech
 - Customer/Supplier Info
 - Modification typical
 - 03 Numbering
 - Installation Numbers
 - Default Configuration
 - Numbering Plans
 - Features in Conversation
 - DDI Number Modification Table
 - Number Modification Table
 - Splitting Table
 - End of Dialing Table
 - Automatic Routing Selection
 - PTN Conversion
 - Collective Speed Dialing
 - Directory
 - Subscribers/Basestations List
 - Voice Processing
 - Time Ranges
 - Attendant Groups
 - Hunting Groups
 - Broadcast Groups
 - Pickup Groups
 - Manager-Secretary Relations
 - Subscribers Misc
 - External Lines
 - List of Accesses
 - List of Trunk Groups
 - Remote Substitution
 - Traffic Counters
 - Protocols
 - Analog Protocols Selection
 - Incoming Call Handling
 - Hardware and Limits
 - Metering
 - Traffic Sharing & Barring
 - Network Management Control

List of Accesses

List of Accesses

Phy. Add.	Acc. Type	Ide
01-001-01	Analog	LO0
01-002-01	Analog	LO0
01-003-01	Analog	LO0
01-004-01	Analog	LO0
95-001-01	VoIP	VOI

Return

Link Category

Phy. Add.	Type	Identifier
95-001-01	VoIP	V001

Traffic Sharing

Mode	LC No
Norm.	2
Rest.	2

Barring

Mode	Voice VLC	Non V. NLC
Norm.	2	2
Rest.	2	2

OK Cancel

VoIP-Trunk

Phy. Add.	Type	Identifier	VoIP-Trunk Ch.	Speed Dial
95-001-01	VoIP	V001	3	Call-Dist. Link-Cat.

Metering Counters

Meter part. 0 Reset

Meter total 0

Out of Service (logical)

Public trunk

Alternative CLIP/COLP Number

OK Cancel

Czechia Alcatel Lucent OmniPCX R1.x...R7.x Business

7.External lines- List of Trunk

The screenshot shows the OmniPCX Office Management Console interface. The main window title is "OmniPCX Office Management Console - [Database: Alphatech_IPBG5IP_01 Customer ID: Alphatech]". The left sidebar shows a tree view of the system configuration, with "External Lines" expanded to show "List of Trunk Groups".

The "List of Trunk Groups" dialog box is open, displaying a table of trunk groups. The table has four columns: Index, No., Type, and Name. The selected row is Index 3, No. 501, Type Cyclic, Name VoIP. The dialog also includes a "Return" button at the bottom and "Modify" and "Details" buttons on the right.

Index	No.	Type	Name
1	500	Cyclic	
2	501	Cyclic	
3	501	Cyclic	VoIP
4	502	Cyclic	
5	503	Cyclic	
6	504	Cyclic	
7	505	Cyclic	
8	506	Cyclic	
9	507	Cyclic	
10	508	Cyclic	
11	509	Cyclic	
12	510	Cyclic	

8. External lines – List of trunk group

OmniPCX Office Management Console - [Database: Alphatech_IPBG5IP_01 Customer ID: Alphatech]

File Comm View Options ?

OMC

Tools

Alphatech

- Customer/Supplier Info
- Modification typical
- 03 Numbering
 - Installation Numbers
 - Default Configuration
 - Numbering Plans
 - Features in Conversation
 - DDI Number Modification Table
 - Number Modification Table
 - Splitting Table
 - End of Dialing Table
 - Automatic Routing Selection
 - PTN Conversion
- Collective Speed Dialing
- Directory
- Subscribers/Basestations List
- Voice Processing
 - Time Ranges
 - Attendant Groups
 - Hunting Groups
 - Broadcast Groups
 - Pickup Groups
 - Manager-Secretary Relations
 - Subscribers Misc
 - External Lines
 - List of Accesses
 - List of Trunk Groups
 - Remote Substitution
 - Traffic Counters
 - Protocols
 - Analog Protocols Selection
 - Incoming Call Handling
 - Hardware and Limits
 - Metering
 - Traffic Sharing & Barring
 - Network Management Control

List of Trunk Groups

List of Trunk Groups

List of Trunk Groups

Index No. Type Name

3 501 Cyclic VoIP

1 500 Cyclic

2 500 Cyclic

3 501 Cyclic VoIP

4 502 Cyclic

5 503 Cyclic

6 504 Cyclic

7 505 Cyclic

8 506 Cyclic

9 507 Cyclic

10 508 Cyclic

11 509 Cyclic

12 510 Cyclic

Modify

Details

Return

Trunk Groups : Details

Index No. Type Name

3 501 Cyclic VoIP

Phy. Add. Acc. Type Identifier No of Chan. 3

95-001-01 VoIP V001 3

Add

Delete

Modify

Up

Down

Link-Cat.

OK Cancel

Link Category

Traffic Sharing

Mode LC No

Norm. 2

Rest. 2

Barring

Voice Non V.

Mode VLC NLC

Norm. 2 2

Rest. 2 2

OK Cancel

Czechia Alcatel Lucent OmniPCX R1.x...R7.x Business

9. Automatic routing selection – Trunk group list (list ID 2)

The screenshot displays the OmniPCX Office Management Console interface. The title bar indicates the database is 'Alphatech_IPBG5IP_01' and the customer is 'Alphatech'. The left sidebar shows a tree view of the configuration hierarchy, with 'Automatic Routing Selection' > 'Trunk Groups Lists' selected. The main window displays a table with the following data:

List ID	Index	No.	Char	Provide...	Acce...	Auth.Code ID	Tone/Pause
1	2	500	O	None		None	None
2	3	501	V	None		None	None
3	4	502	T	None		None	None

The status bar at the bottom of the application window reads 'Czechia Alcatel Lucent OmniPCX R1.x...R7.x Business'.

10. Automatic routing selection – Prefixes (part1)

OmniPCX Office Management Console - [Database: Alphatech_IPBG5IP_01 Customer ID: Alphatech]

File Comm View Options ?

OMC

Automatic Routing: Prefixes

Activation	Network	Prefix	Ranges	Substitute	TrGpList	Called(1SVPN/H450)	User comment	Destination	IP Type	IP Address	H...	Gateway Alive Protocol	Gateway Alive Timeout/s
Yes	priv	20	20	2	2	het	VoIP_DP	SIP Gateway	Static	192.168.1.250		ICMP	60
Yes	priv	30	30	2	2	het	VoIP_USER	SIP Gateway	Static	192.168.1.210		ICMP	60
Yes	pub	6	6	2	2	het	VoIP_GSM	SIP Gateway	Static	192.168.1.251		ICMP	60
Yes			6	2	2	het	VoIP_GSM	SIP Gateway	Static	192.168.1.252		ICMP	60
Yes	pub	7	7	2	2	het	VoIP_GSM	SIP Gateway	Static	192.168.1.252		ICMP	60
Yes			7	2	2	het	VoIP_GSM	SIP Gateway	Static	192.168.1.251		ICMP	60

OMC

- Tools
- Alphatech
 - Customer/Supplier Info
 - Modification typical
 - 03 Numbering
 - Installation Numbers
 - Default Configuration
 - Numbering Plans
 - Features in Conversation
 - DDI Number Modification Table
 - Number Modification Table
 - Splitting Table
 - End of Dialing Table
 - Automatic Routing Selection
 - Automatic Routing: Prefixes
 - Gateway Parameters
 - SIP Public Numbering
 - Trunk Groups Lists
 - Hours
 - Day Groups
 - Providers/Destinations
 - Authorization Codes
 - Tone/Pause-MF
 - ARS Miscellaneous
 - PTN Conversion
 - Collective Speed Dialing
 - Directory
 - Subscribers/Basestations List
 - Voice Processing
 - Time Ranges
 - Attendant Groups
 - Hunting Groups
 - Broadcast Groups
 - Pickup Groups
 - Manager-Secretary Relations
 - Subscribers Misc
 - External Lines

Czechia Alcatel Lucent OmniPCX R1.x...R7.x Business

11. Automatic routing selection – Prefixes (part2)

OmniPCX Office Management Console - [Database: Alphatech_IPBGSIP_01 Customer ID: Alphatech]

File Comm View Options ?

OMC

Automatic Routing: Prefixes

50)	User comment	Destination	IP Type	IP Address	H...	Gateway Alive Protocol	Gateway Alive Timeout/s	Gateway Bandwidth	Codec/Framing	Gateway Alive Status	Gateway P...
	VoIP_DP	SIP Gateway	Static	192.168.1.250		ICMP	60	55.6 kBit/s (1 call)	Default	Alive	
	VoIP_USER	SIP Gateway	Static	192.168.1.210		ICMP	60	55.6 kBit/s (1 call)	Default	Alive	
	VoIP_GSM	SIP Gateway	Static	192.168.1.251		ICMP	60	55.6 kBit/s (1 call)	Default	Alive	
	VoIP_GSM	SIP Gateway	Static	192.168.1.252		ICMP	60	55.6 kBit/s (1 call)	Default	Alive	
	VoIP_GSM	SIP Gateway	Static	192.168.1.251		ICMP	60	55.6 kBit/s (1 call)	Default	Alive	

Czechia Alcatel Lucent OmniPCX R1.x...R7.x Business

Table of contents:

1. VOIP: Parameters (set VoIP protocol to SIP and number of VoIP-Trunk Channels)
2. Numbering Plans – Internal Numbering Plan (extension number 20 for DP)
3. Numbering Plans – Public Numbering Plan (extension number 20 for DP)
4. List of Access VoIP Trunk
5. List of Access VoIP Trunk – Details
6. List of Access VoIP Trunk – Details – Link cat.
7. External lines- List of Trunk
8. External lines – List of trunk group
9. Automatic routing selection – Trunk group list (list ID 2)
10. Automatic routing selection – Prefixes (part1)
11. Automatic routing selection – Prefixes (part2)