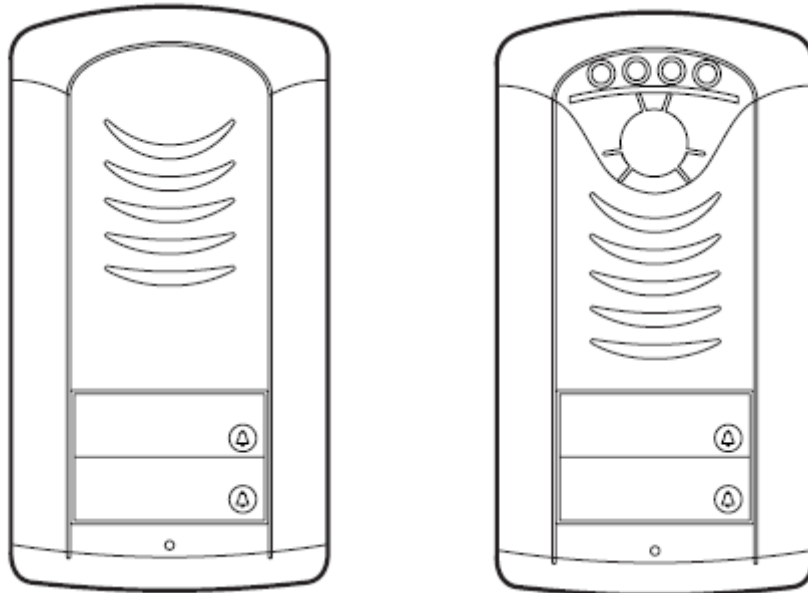
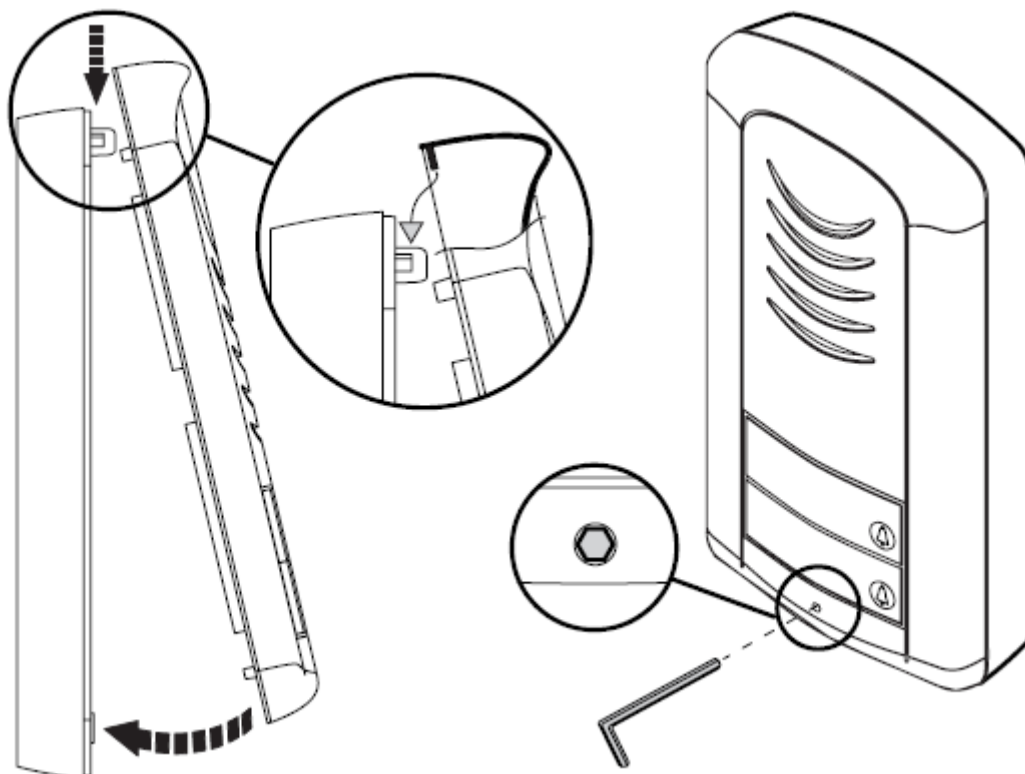


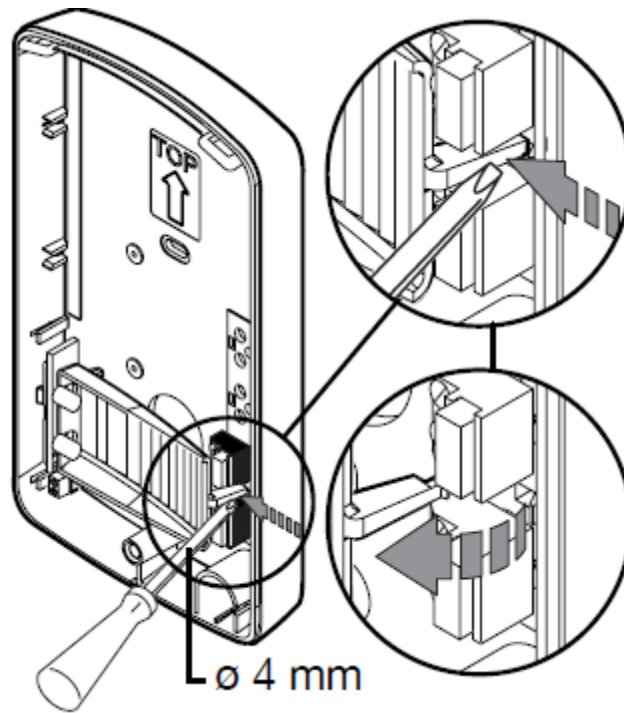
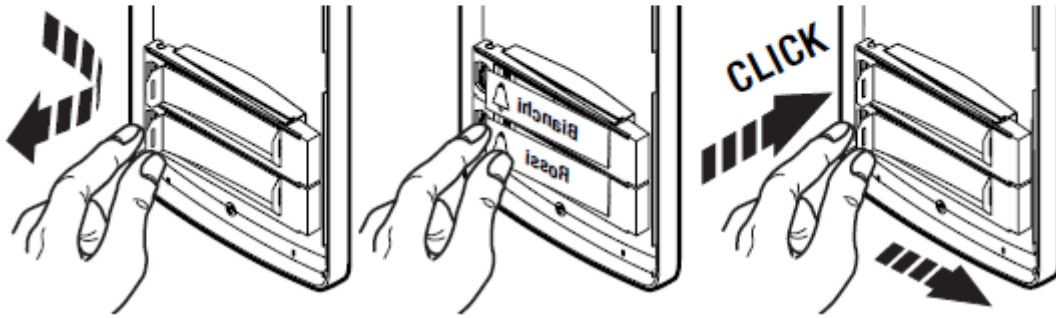
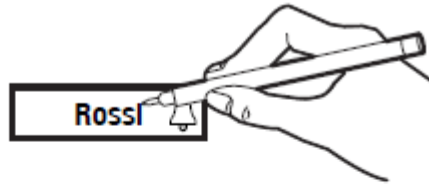
Quick Setup Guide for IPDP Slim doorphone

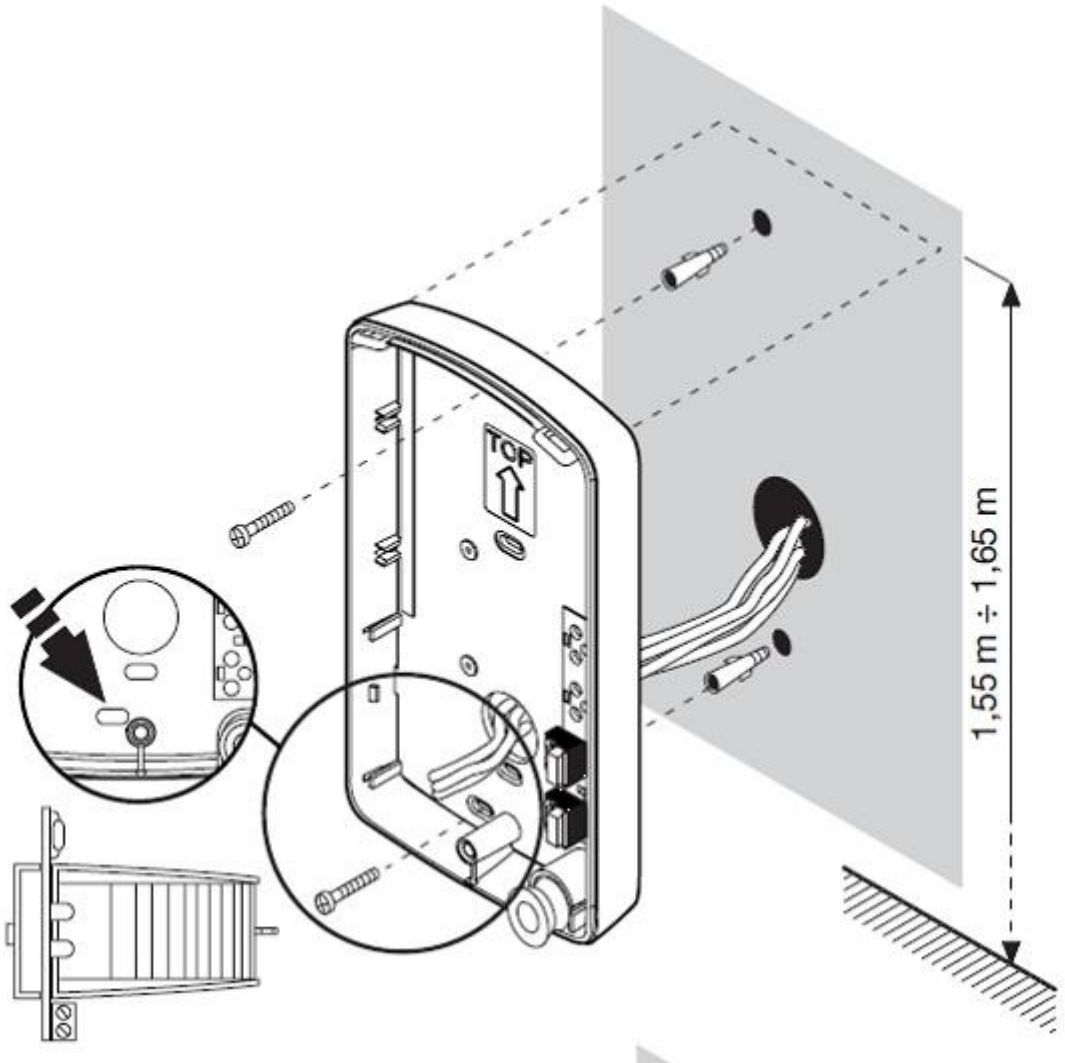


Opening the cover

- Use the supplied Allen key to open the cover.
- To change the button labels, look at figure 3 & 4 below.



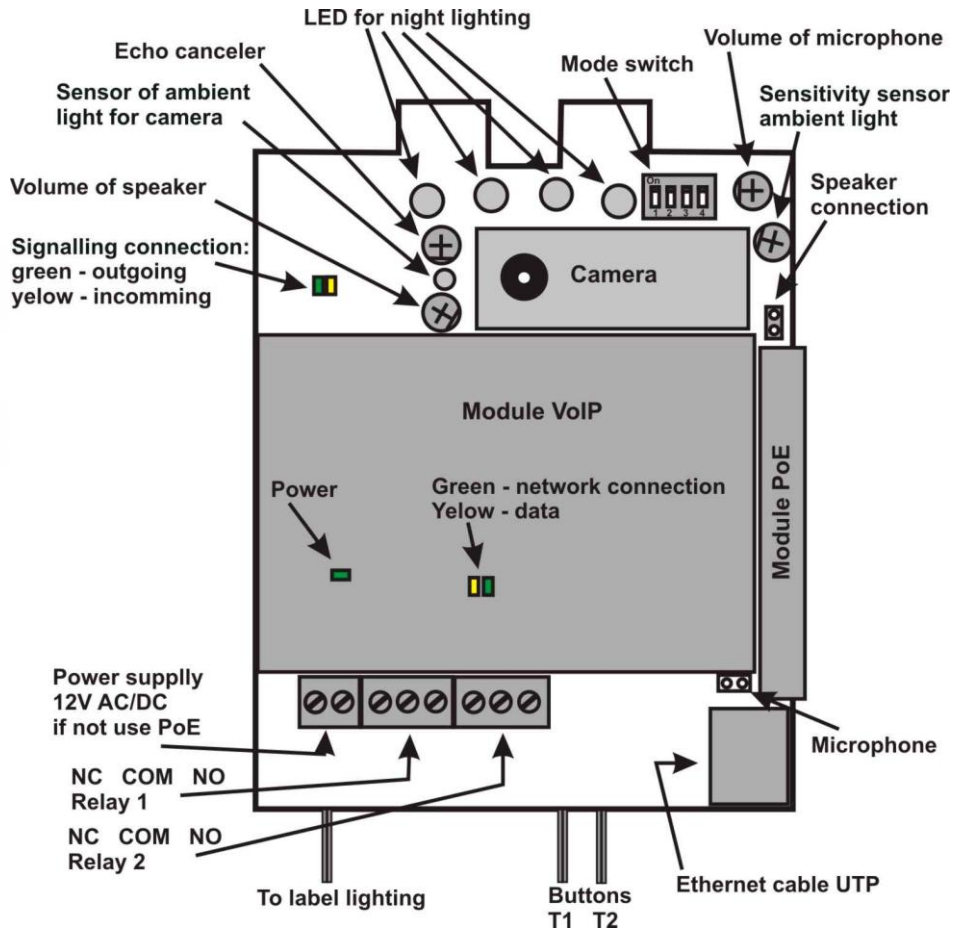




Wiring

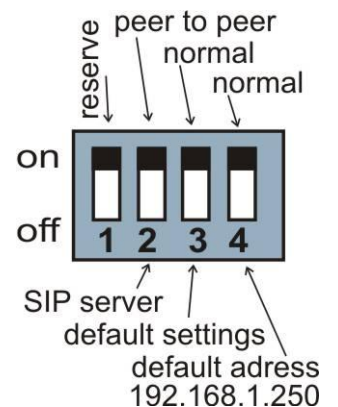
- Remove the Cover as per above diagram
- Feed the Ethernet cable through the cable hole.
- Fix the door phone to the wall using the template, screws and rawlplugs supplied.

- In order for backlight, heating of the circuit board (to avoid condensation) and to power a lock, a 12VDC 1A power supply is required. Refer to manual.
- There are two options to control external devices e.g. Lock, Light, Bell. Either NO (Normally Open) or NC (Normally Closed). Refer to wiring diagram below.



Quick Setup

- Set the jumper to either peer to peer (without an IP PBX or IP Telco) or SIP server for the door phone to register against an IP PBX or IP Telco.
- The DoorPhone comes with a static IP address of 192.168.1.250 with username: admin and password: 1234



Programming the Door Phone

- Change your PC IP address within the range of 192.168.1.x
- Open your browser and point to 192.168.1.250
- Enter username: admin and password: 1234
- For more advanced options, please refer to the manual.

http://192.168.1.250/cgi-bin/view.sh



Customer at front door (Door Phone)

When a customer comes to the front door, he presses one of the buttons, the unit then dials the destination number or IP address that is preprogrammed. The staff member answering the call, can talk to the customer at the front door and to let the staff member in the front door, the staff member presses 55 on his handset to open the door.

