

NFC standalone access control



USER MANUAL



CONTENTS

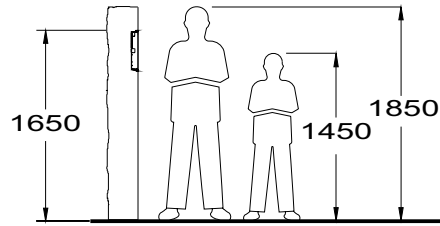
Contents.....	2
Characteristics.....	2
Installation of the door panel.....	
Location of the embedding box.....	3
Positioning the embedding box.....	3
Securing the frame and closing the panel.....	3
Description of the module.....	
Description of the EL4502/NFC module.....	4
Description of the JP1 jumper.....	4
Description of the self-testing LEDES	4
Description of the tones.....	4
Description of the SW1 DIP switch.....	5
Installation of the power supply.....	
Detail of the TF-104 power supply unit installation.....	5
Installation of the lock release.....	5
Description of the NFC cards & key tag.....	6
Module operation.....	
Description of module operation.....	7
Module programming.....	
Card management with the SW1 DIP switch.....	8-9
Card management with the Master card/ key tag.....	10-11
Wiring diagrams.....	
EL4502/NFC with Nexa Modular door panels.....	12-14
Standalone operation.....	14
Notes.....	15
Compliance.....	16

CHARACTERISTICS

- NFC standalone access control module (Golmar proximity cards).
- Capacity of up to 2,000 Residents' cards/ key tags and 30 Master cards/ key tags.
- Basic configuration using DIP switches.
- Basic configuration using the Master card.
- Advanced configuration and management of the NFC access control. **Mobile with NFC and AC Manager app required (Android only)**, see the **TAC Manager manual (code 50124945)**.
(Consult our technical service department).
- Enables management of the residents' card to activate the lock release of the NFC access control via mobile. **Mobile with NFC and OpenGo app required (Android only)**, see the **TOPENGO manual (code 50124946)**.
(Consult our technical service department).
- Power supply 12 Vac or 18 Vdc.
- Can be combined with Nexa Modular panels.
- 2 potential-free output relays (NO, C, NC) and digital panic output (to alarm control centre).
- Relays 1 and 2 with three potential-free contacts (NO, C, NC), maximum load: 18 Vac /1 A 18 VA or 24 Vdc /0.75 A 18 W).
- 2 inputs for external relay 1 activation button (PL1) and relay 2 (PL2) "lock release".
- Programmable activation time for each relay from 3 to 99 seconds (default 3 seconds).
- JP1 jumper for tamper alarm activation.
- Internal buzzer for reproducing tones (confirmation, error, tamper alarm activated).
- Two-colour LED on the front to indicate the operating status (confirmation, error, programming).

INSTALLATION OF THE DOOR PANEL

Location of the embedding box:



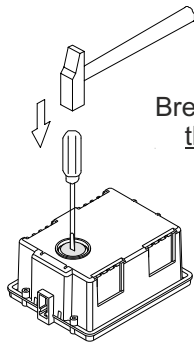
Make a hole in the wall to position the top of the module at a height of 1.65m.

Hole dimensions:

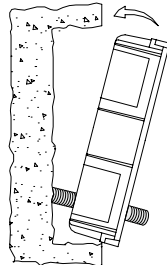
NCEV-90CS embedding box: 99(W) x 132.5(H) x 56.5(D) mm.

The module has been designed to withstand all environmental conditions. We do however recommend taking extra precautions to prolong its life (shields, covered areas, etc.).

Positioning the embedding box:

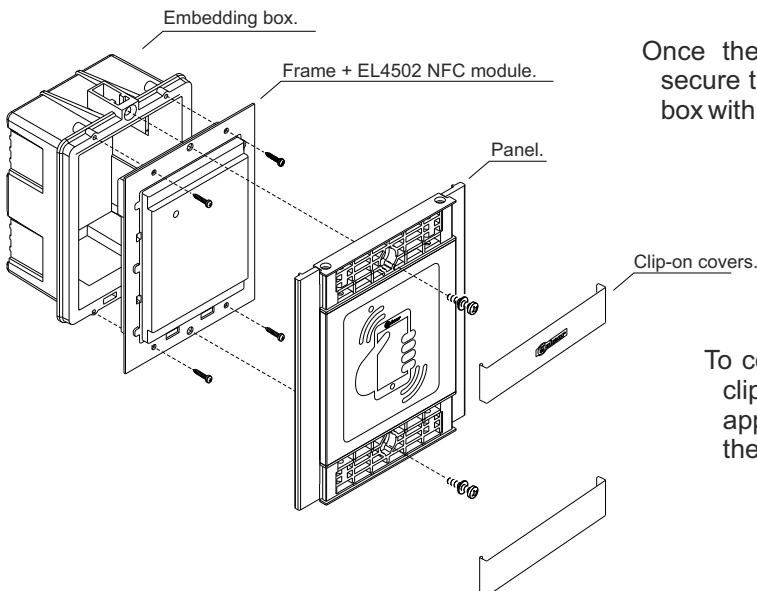


Break the flange to allow the entry of cables through the bottom part of the embedding box.



Pass the cable through the hole made in the embedding box. Embed the box and ensure that it is level and flush. Once embedded, remove the protective stickers from the screw holes.

Securing the frame and closing the panel:

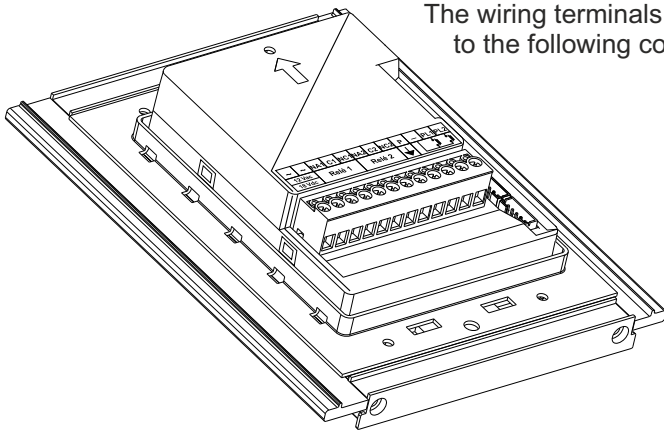


Once the wiring work has been completed, secure the frame and panel to the embedding box with the screws provided.

To complete the fitting of the panel, attach the clip-on covers by positioning one end and then applying slight pressure to the other end until they clip into place.

DESCRIPTION OF THE MODULE

Description of the EL4502/NFC module:



The wiring terminals are located at the back of the module and correspond to the following connections:

- ~, ~ : power supply.
- NA1 : normally open output relay 1.
- C1 : common relay 1.
- NC1 : normally closed output relay 1.
- NA2 : normally open output relay 2.
- C2 : common relay 2.
- NC2 : normally closed output relay 2.
- P : panic output.
- : negative.
- PL1 : input for external button relay 1.
- PL2 : input for external button relay 2.

Description of the JP1 jumper:

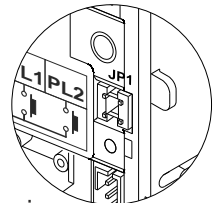
The JP1 jumper is located to the right of the terminal strip, it activates the tamper alarm.



Normal operation, alarm not activated.



Tamper alarm mode is activated. In this mode, a constant audible alarm and the “P” panic output of the open collector (3 seconds every minute) are activated. Alarm mode ends when the JP1 jumper is replaced. The tamper can be cancelled by waving a Master card (configured) over the EL4502/NFC proximity reader; to terminate alarm mode, replace the JP1 jumper and wave the Master card over the reader again (the red LED on the reader will turn off).



Description of the self-testing LEDs:

The two-colour (red and green) self-testing LED is located on the top left-hand side of the front of the module.



	Operation	Red LED	Green LED
Standby	Normal	Off	Off
	Correct access	Off	On (1.5 seconds)
	Incorrect access	On (1.5 seconds)	Off
Programming mode	With SW1 DIP	Slow blink	Off
	With Master card	On	Off
	Card programmed	Off	On (1.5 seconds)
	Card already exists	Rapid blink	Off
	Deleting cards	Rapid blink	Off
	Card deleted	Off	On (1.5 seconds)
	Memory full (error)	Off	On

Description of the tones:

The NFC access control module features an internal buzzer for reproducing operating tones:

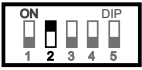
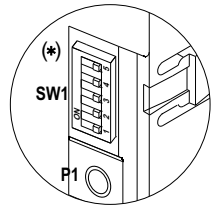
Operation	Duration
Correct access	2 rapid tones
Incorrect access	1 long tone
Card programmed	2 rapid tones
Card deleted	2 rapid tones
Alarm activated	1 constant tone

DESCRIPTION OF THE MODULE

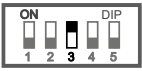
Continued from previous page

Description of the SW1 DIP switch:

The SW1 DIP switch is located on the top right-hand side of the back of the module. It enables us to add/remove cards.



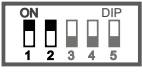
With DIP switch 2 set to ON, it enables Master user cards to be added. (See p. 8 and p. 10).



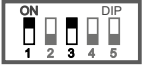
With DIP switch 3 set to ON, it enables Residents', one-access Visiting and multi-access Visiting user cards to be added. (See p. 8).



With DIP switch 4 set to ON, it enables Installation cards to be added. (See p. 8).



With DIP switches 1 and 2 set to ON, it enables all Master user cards to be removed. (See p. 9).



With DIP switches 1 and 3 set to ON, it enables Residents', One-access Visiting and multi-access Visiting user cards to be removed. (See p. 9).



With DIP switches 1 and 4 set to ON, it enables all Installation cards to be removed. (See p. 9).



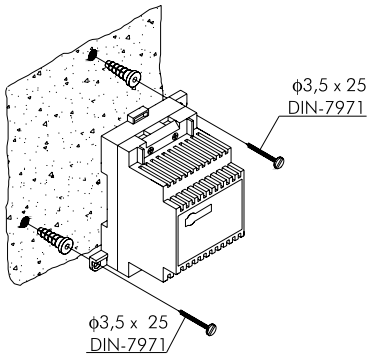
With DIP switches 1, 2 and 3 set to ON, it enables all cards, except Installation cards, to be removed. (See p. 9).



With DIP switch 5 set to ON, it enables the activation time of relay 1 and relay 2 to be programmed. (See p. 9).

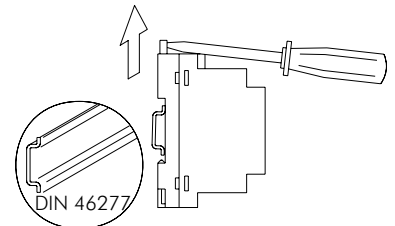
INSTALLATION OF THE POWER SUPPLY UNIT

Detail of the TF-104 power supply unit installation:



Install the transformer in a dry and protected location. Please note that current regulations stipulate that the transformer must be protected by a circuit breaker.

To wall mount the transformer, position the fastening tabs. Drill two 6mm diameter holes and insert the wall plugs. Fix the power supply unit using the specified screws.



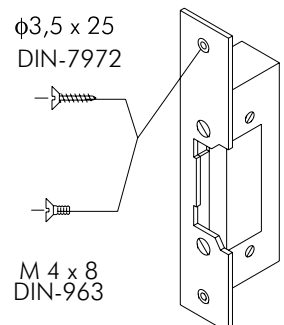
The power supply unit can be mounted onto a DIN rail (3 elements) by applying slight pressure. To remove the transformer from the rail, use a flat screwdriver and lever it off, as shown in the drawing.

INSTALLATION OF THE LOCK RELEASE

Lock release

If the lock release is to be fitted to a metal door, use a Ø3.5mm drill bit and thread the hole made. For wooden doors, use a Ø3mm drill bit.

IMPORTANT: The access control module is supplied with two varistors. If you are going to connect an AC lock release to one of the outputs, fit the varistor supplied directly to the lock release terminals to ensure that the module functions correctly.



DESCRIPTION OF THE NFC CARDS AND KEY TAGS

Types of NFC card and key tag:

The NFC access control module allows the following types of card and key tag:

Residents' cards/ key tags: NFC/US cards/ key tags when added as Residents' cards/ key tags enable access (see p. 8). Up to 2,000 cards/ key tags (Residents', visiting (one-access) and visiting (multi-access) can be added.

Master cards/ key tags: NFC/US cards/ key tags when added as Master cards/ key tags enable the user to: (See p. 10 - 11).

- Add: Residents' cards/ key tags, visiting (one-access), visiting (multi-access) and Installation cards.
- Add Residents' cards/ key tags, visiting (one-access) and visiting (multi-access) cards and can be assigned to the Master card/ key tag as a group of Residents' cards/ key tags. **AC Manager app and mobile with NFC required (Android only).**
- Remove: Residents' cards/ key tags, visiting (one-access), visiting (multi-access) and Installation cards.
- Remove a group of Residents' cards/ key tags assigned to a Master card/ key tag. **AC Manager app and mobile with NFC required (Android only).**

Up to 30 Master cards/ key tags can be added.

Visiting cards (one-access): NFC/1U cards when added enable only 1 access, but are reprogrammable to allow them to be added again (see p. 8).

Visiting cards (multi-access): NFC/MU cards when added enable up to 100 accesses, the exact number of which (1 to 100) can be set before adding the card in the module. AC Manager app and mobile with NFC required (Android only). These cards are not reprogrammable so become unusable once the number of accesses configured is reached (see p. 8).

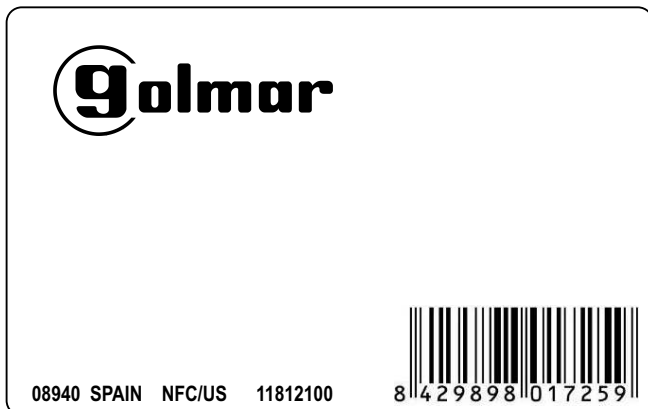
Installation cards: NFC/IN cards enable the access control module to be linked to a mobile with NFC for advanced configuration and management of the NFC access control installation with the AC Manager app previously installed on the mobile phone (see p. 8). AC Manager app and mobile with NFC required (Android only).

Up to 5 NFC/IN cards can be added.

Description of the NFC cards and key tag:

NFC CARD NFC/US USER	Code: 11812100
NFC CARD NFC/IN INSTALLER	Code: 11812105
NFC CARD NFC/1U GUEST	Code: 11812110
NFC CARD NFC/MU TICKETING	Code: 11812115
NFC KEY TAG TAGNFC/US USER	Code: 11812125

NFC CARD NFC/US USER



NFC KEY TAG TAGNFC/US USER



OPERATION OF THE MODULE

Description of module operation

Module in standby mode.

In standby mode, the module can perform the following operations:

Activation of external buttons: Allows activation of relay outputs 1 and 2 by means of external push buttons PL1 and PL2 respectively.

The button can be configured by means of programming to activate the output by pressing the button and deactivate it after a period of between 3 and 99 seconds has elapsed.

By access card/ key tag:

Opening by user card/ key tag (Residents': Enables activation of the relay 1 and relay 2 outputs when a previously added Residents' access card/ key tag is waved over the proximity reader, with deactivation after 3 seconds. The module will emit 2 confirmation tones and the LED will light up (green) for one second.

Opening by visiting card (one-access): Enables activation of the relay 1 and relay 2 outputs when a previously added Visiting card (one-access) is waved over the proximity reader, with deactivation after 3 seconds. The module will emit 2 confirmation tones and the LED will light up (green) for one second.

Notes:

Visiting cards (one-access) enable only 1 access, but are reprogrammable to allow them to be added again.

Visiting cards (one-access) can be added in different access control modules, but can only be used once for each access control.

Opening by visiting card (multi-access): Enables activation of the relay 1 and relay 2 outputs when a previously added Visiting card (multi-access) is waved over the proximity reader, with deactivation after 3 seconds. The module will emit 2 confirmation tones and the LED will light up (green) for one second.

Notes:

Visiting cards (multi-access) when added enable up to 100 accesses, the exact number of which (1 to 100) can be set before adding the card in the module (**mobile with NFC and AC Manager app required (Android only)**), see the **TAC Manager manual (code 50124945)**.

Visiting cards (multi-access) are not reprogrammable so become unusable once the number of accesses configured is reached.

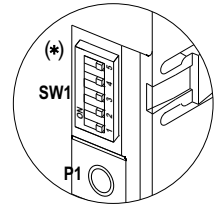
Note: The activation time for access cards/ key tags can be set at between 3 and 99 seconds (see p. 9).

MODULE PROGRAMMING

Card/ key tag management with the SW1 DIP switch:

Basic configuration of the access control with the SW1 DIP switch. It is located on the top right-hand side of the back of the module.

It enables the adding/removing of Master and residents' access cards/ key tags, (one-access and multi-access) and Installation cards. As well as the programming of relay opening times.



Add user cards/ key tags (Master): set DIP switch 2 to ON, the LED on the front will blink (red). Then wave the new NFC/US cards/ key tags (Golmar) that you wish to add over the proximity reader one by one, the module will emit 2 tones and the LED will light up (green) for one second every time a Master proximity card/ key tag is memorised or the LED will blink rapidly (red) if the card/ key tag has already been memorised.

Up to 30 Master cards/ key tags can be memorised.

To exit 'Add Master cards/ key tags' mode, set DIP switch 2 to OFF, the LED on the front (red) will turn off.



Add user cards/ key tags (Residents'): set DIP switch 3 to ON, the LED on the front will blink (red). Then wave the new NFC/US cards/ key tags (Golmar) that you wish to add over the proximity reader one by one, the module will emit 2 tones and the LED will light up (green) for one second every time a Residents' proximity card/ key tag is memorised or the LED will blink rapidly (red) if the card/ key tag has already been memorised.

To exit "Add Residents" cards/ key tag' mode, set DIP switch 3 to OFF, the LED on the front (red) will turn off.

Add visiting cards (one-access): set DIP switch 3 to ON, the LED on the front will blink (red). Then wave the new NFC/1U cards (Golmar) that you wish to add over the proximity reader one by one, the module will emit 2 tones and the LED will light up (green) for one second every time a Visiting proximity card (one-access) is memorised or the LED will blink rapidly (red) if the card has already been memorised.

To exit "Add Visiting cards (one-access)" mode, set DIP switch 3 to OFF, the LED on the front (red) will turn off.

Note: Visiting cards (one-access) are reprogrammable to allow them to be added again.

Add visiting cards (multi-access, up to 100 accesses): set DIP switch 3 to ON, the LED on the front will blink (red). Then wave the new NFC/MU cards (Golmar) that you wish to add over the proximity reader one by one, the module will emit 2 tones and the LED will light up (green) for one second every time a Visiting proximity card (multi-access) is memorised or the LED will blink rapidly (red) if the card has already been memorised.

To exit "Add Visiting cards (multi-access)" mode, set DIP switch 3 to OFF, the LED on the front (red) will turn off.

Note: Visiting cards (multi-access) can be configured with up to 100 accesses when they are added using DIP switch 3 of the module. If you wish to set the number of accesses (from 1 to 99), first open the AC Manager app to set the number and then add the card using the NFC access control module. The card is not reprogrammable so it will become unusable once the number of accesses configured is reached.

Note: Up to 2,000 cards/ key tags (Residents', one-access and multi-access) can be added. The module will emit an error tone and the green LED will light up to warn of when the memory is full.



Add Installation cards: set DIP switch 4 to ON, the LED on the front will blink (red). Then wave the new NFC/IN cards (Golmar) that you wish to add over the proximity reader one by one, the module will emit 2 tones and the LED will light up (green) for one second every time an Installation proximity card is memorised or the LED will blink rapidly (red) if the card has already been memorised.

Up to 5 installation cards can be memorised.

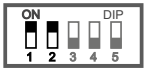
To exit "Add Installation cards" mode, set DIP switch 4 to OFF, the LED on the front (red) will turn off.

Note: Installation cards are for advanced configuration and management of the access control (**mobile with NFC and AC Manager app required, Android only**), see the **TAC Manager manual (code 50124945)**.

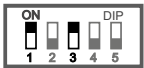
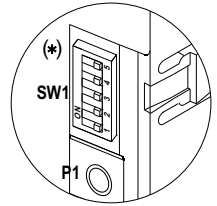
(*) Factory setting.

MODULE PROGRAMMING

Continued from previous page



Remove all user cards/ key tags (Master): set DIP switches 1 and 2 to ON, the LED on the front will blink (red). Press button P1 for 5 seconds (the red LED will blink rapidly), then the module will emit 2 tones and the LED will light up (green) for 1 second confirming that all Master cards/ key tags have been deleted. To exit “Remove all user cards/ key tags (Master)” mode, set DIP switches 1 and 2 to OFF, the LED on the front (red) will turn off.



Remove all user cards/ key tags (residents', one-access and multi-access): set DIP switches 1 and 3 to ON, the LED on the front will blink (red). Press button P1 for 5 seconds (the red LED will blink rapidly), then the module will emit 2 tones and the LED will light up (green) for 1 second confirming that all user cards/ key tags (residents', one-access and multi-access) have been deleted. To exit “Remove all user cards/ key tags (residents', one-access and multi-access)” mode, set DIP switches 1 and 3 to OFF, the LED on the front (red) will turn off.



Remove all Installation cards: set DIP switches 1 and 4 to ON, the LED on the front will blink (red). Press button P1 for 5 seconds (the red LED will blink rapidly), then the module will emit 2 tones and the LED will light up (green) for 1 second confirming that all Installation cards have been deleted. To exit “Remove all Installation cards” mode, set DIP switches 1 and 4 to OFF, the LED on the front (red) will turn off.



Remove all cards/ key tags (except Installation cards): set DIP switches 1, 2 and 3 to ON, the LED on the front will blink (red). Press button P1 for 5 seconds (the red LED will blink rapidly), then the module will emit 2 tones and the LED will light up (green) for 1 second confirming that all cards/ key tags have been removed (except Installation cards). To exit “Remove all cards/ key tags (except Installation cards)” mode, set DIP switches 1, 2 and 3 to OFF, the LED on the front (red) will turn off.



Programming relay 1 activation time by card/ key tag access: set DIP switch 5 to ON, the LED on the front will blink (red). Press and hold down button P1, the red LED will turn off and the green LED will blink; each blink will increase the minimum activation time of 3 seconds already set at the factory by 1 second. Once the desired activation time has been selected, stop pressing button P1, the module will then emit 2 short tones and the LED will light up (green) for 1 second confirming the new activation time.

If you wish to reset the default time of 3 seconds, press button P1. To exit “Relay 1 activation time with card/ key tag” mode, set DIP switch 5 to OFF, the LED on the front (red) will turn off. **Note: To adjust relay 2 activation time by card/ key tag access, a mobile with NFC and AC Manager app is required (Android only).**

Programming relay 1 activation time by access with external button PL1: set DIP switch 5 to ON, the LED on the front will blink (red). Press and hold down external button PL1, the red LED will turn off and the green LED will blink; each blink will increase the minimum activation time of 3 seconds already set at the factory by 1 second. Once the desired activation time has been selected, stop pressing external button PL1, the module will then emit 2 short tones and the LED will light up (green) for 1 second confirming the new activation time.

If you wish to reset the default time of 3 seconds, press external button PL1. To exit “Relay 1 activation time with external button PL1” mode, set DIP switch 5 to OFF, the LED on the front (red) will turn off.

Programming relay 2 activation time by access with external button PL2: set DIP switch 5 to ON, the LED on the front will blink (red). Press and hold down external button PL2, the red LED will turn off and the green LED will blink; each blink will increase the minimum activation time of 3 seconds already set at the factory by 1 second. Once the desired activation time has been selected, stop pressing external button PL2, the module will then emit 2 short tones and the LED will light up (green) for 1 second confirming the new activation time.

If you wish to reset the default time of 3 seconds, press external button PL2. To exit “Relay 2 activation time with external button PL2” mode, set DIP switch 5 to OFF, the LED on the front (red) will turn off.

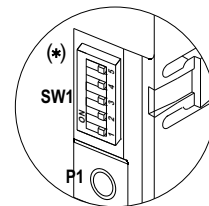
MODULE PROGRAMMING

Card/ key tag management with the Master card/ key tag:

Basic configuration of the access control with the Master card/ key tag.

It enables the adding/removing of Master and residents' access cards/ key tags and (one-access and multi-access) and Installation cards.

Important: First of all, the Master card(s)/ key tag(s) need to be added with the SW1 DIP switch.



Add user cards/ key tags (Master): set DIP switch 2 to ON, the LED on the front will blink (red). Then wave the new NFC/US cards/ key tags (Golmar) that you wish to add over the proximity reader one by one, the module will emit 2 tones and the LED will light up (green) for one second every time a Master proximity card/ key tag is memorised or the LED will blink rapidly (red) if the card/ key tag has already been memorised.

Up to 30 Master cards/ key tags can be memorised. Assigning a group of residents cards/ key tags and (one-access visiting and multi-access visiting) cards to each Master card/ key tag is for advanced configuration and management of the access control (**mobile with NFC and AC Manager app required, Android only**), see the **TAC Manager manual (code 50124945)**.

To exit 'Add Master cards/ key tags' mode, set DIP switch 2 to OFF, the LED on the front (red) will turn off.

Once the Master cards/ key tags have been added, the rest of the cards/ key tags will be added.

Add residents' access cards/ key tags and (one-access and multi-access) and Installation cards:

- Step 1: Wave a Master card/ key tag over the proximity reader, the LED on the front will light up (red).
- Step 2: Wave the new NFC/US cards/ key tags (Golmar) that you wish to add over the proximity reader one by one, the module will emit 2 tones and the LED will light up (green) for one second every time a Residents' access card/ key tag is memorised or the LED will blink rapidly (red) if the card/ key tag has already been memorised.
- Step 3: Wave the Golmar NFC/1U one-access Visiting cards that you wish to add over the proximity reader one by one, the module will emit 2 tones and the LED will light up (green) for one second every time a one-access Visiting card is memorised or the LED will blink rapidly (red) if the card has already been memorised.
- Step 4: Wave the Golmar NFC/MU multi-access Visiting cards that you wish to add over the proximity reader one by one, the module will emit 2 tones and the LED will light up (green) for one second every time a multi-access Visiting card is memorised or the LED will blink rapidly (red) if the card has already been memorised.
- Step 5: Wave the Golmar NFC/IN Installation cards that you wish to add over the proximity reader one by one (maximum 5 installation cards), the module will emit 2 tones and the LED will light up (green) for one second every time an Installation card is memorised or the LED will blink rapidly (red) if the card has already been memorised.
- Step 6: To exit "Add access cards/ key tags and Installation cards" mode, wave the same Master card/ key tag used in Step 1 over the proximity reader again, the LED on the front (red) will turn off.

Notes:

- The installation card is for advanced configuration and management of the access control (**mobile with NFC and AC Manager app required, Android only**), see the **TAC Manager manual (code 50124945)**.
- A maximum of 2,000 cards/ key tags can be added in steps 2, 3 and 4. The module will emit an error tone and the green LED will light up to warn of when the memory is full.

Remove residents' access cards/ key tags and (one-access and multi-access) and Installation cards:

- Step 1: Wave a Master card/ key tag over the proximity reader, the LED on the front will light up (red).
- Step 2: Wave the NFC/US Residents' card/ key tag that you wish to remove over the proximity reader, the LED on the front will blink (red) for a few seconds, the module will emit 2 tones and the LED will light up (green) for one second confirming that the Residents' card/ key tag has been removed. Repeat Step 2 if you wish to remove more Residents' cards/ key tags.
- Step 3: Wave the NFC/1U one-access Visiting card that you wish to remove over the proximity reader, the LED on the front will blink (red) for a few seconds, the module will emit 2 tones and the LED will light up (green) for one second confirming that the one-access Visiting card has been removed. Repeat Step 3 if you wish to remove more one-access Visiting cards.
- Step 4: Wave the NFC/MU multi-access Visiting card that you wish to remove over the proximity reader, the LED on the front will blink (red) for a few seconds, the module will emit 2 tones and the LED will light up (green) for one second confirming that the multi-access Visiting card has been removed. Repeat Step 4 if you wish to remove more multi-access Visiting cards.
- Step 5: Wave the NFC/IN Installation card that you wish to remove over the proximity reader, the LED on the front will blink (red) for a few seconds, the module will emit 2 tones and the LED will light up (green) for one second confirming that the Installation card has been removed. Repeat Step 5 if you wish to remove more Installation cards.
- Step 6: To exit "Remove access cards/ key tags and Installation cards" mode, wave the same Master card/ key tag used in Step 1 over the proximity reader again, the LED on the front (red) will turn off.

MODULE PROGRAMMING

Continued from previous page

Remove a Master card/ key tag:

- Step 1: Wave the Master card/ key tag that you wish to remove over the proximity reader, the LED on the front will light up (red).
- Step 2: Keeping the Master card/ key tag over the proximity reader, after 2 seconds the red LED will start blinking, the module will emit 2 tones and the LED will light up (green) for one second confirming that the Master card/ key tag has been removed and the LED of the front will turn off.
- Step 3: Repeat Steps 1 and 2 if you wish to remove another Master card/ key tag.

Remove a group of residents' access cards/ key tag and (one-access and multi-access) cards:

- Step 1: Wave a Master card/ key tag over the proximity reader, the LED on the front will light up (red).
- Step 2: Wave the Master card/ key tag with the number of the group linked to the residents' access cards/ key tags and (one-access and multi-access) cards that you wish to remove over the proximity reader, the LED on the front will blink (red) for a few seconds, the module will emit 2 tones and the LED will light up (green) for one second confirming that the group of access cards/ key tags linked to the Master card/ key tag waved over the proximity reader in Step 2 has been removed.
- Step 3: Repeat Step 2 if you wish to remove another number of a group of access cards/ key tags linked to another Master card/ key tag.
- Step 4: To exit "Remove a group of access cards/ key tags" mode, wave the same Master card/ key tag used in Step 1 over the proximity reader again, the LED on the front (red) will turn off.

Note:

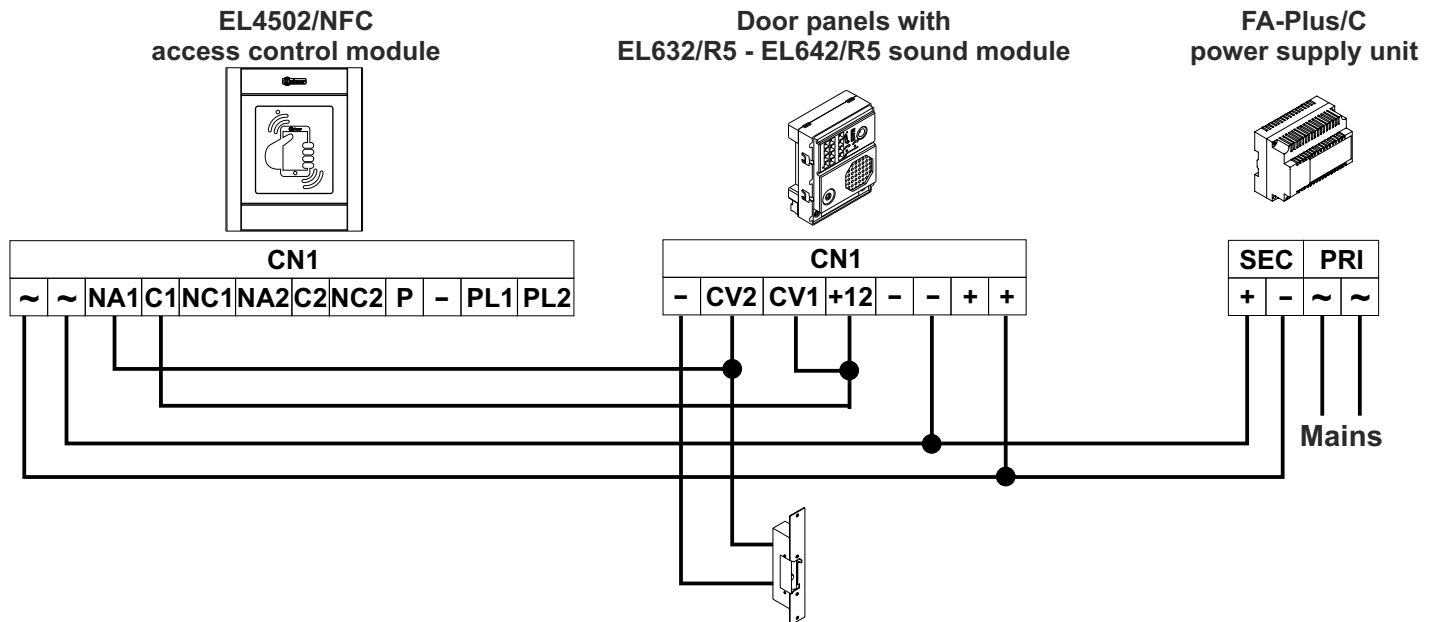
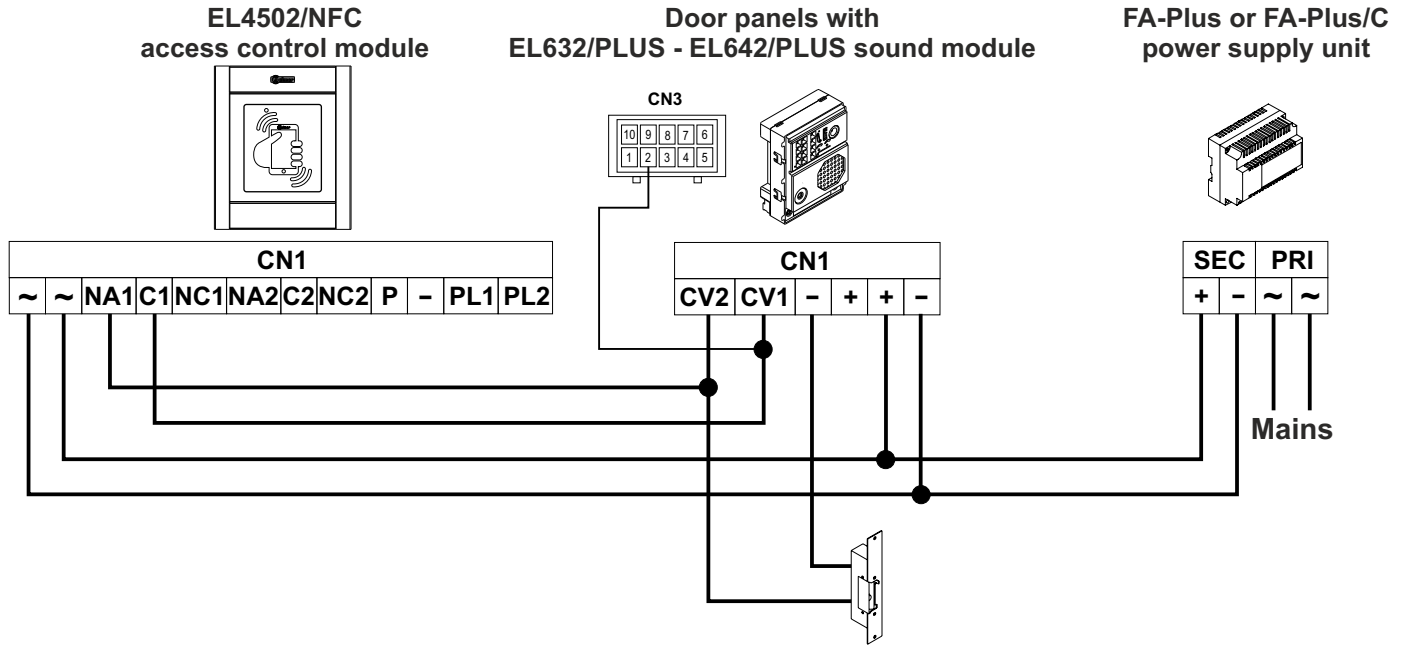
- "Remove a group of access cards/ key tags" mode is for advanced configuration and management of the access control (**mobile with NFC and AC Manager app required, Android only**), see the **TAC Manager manual (code 50124945)**.

WIRING DIAGRAMS

Combined on Nexa Modular panels:

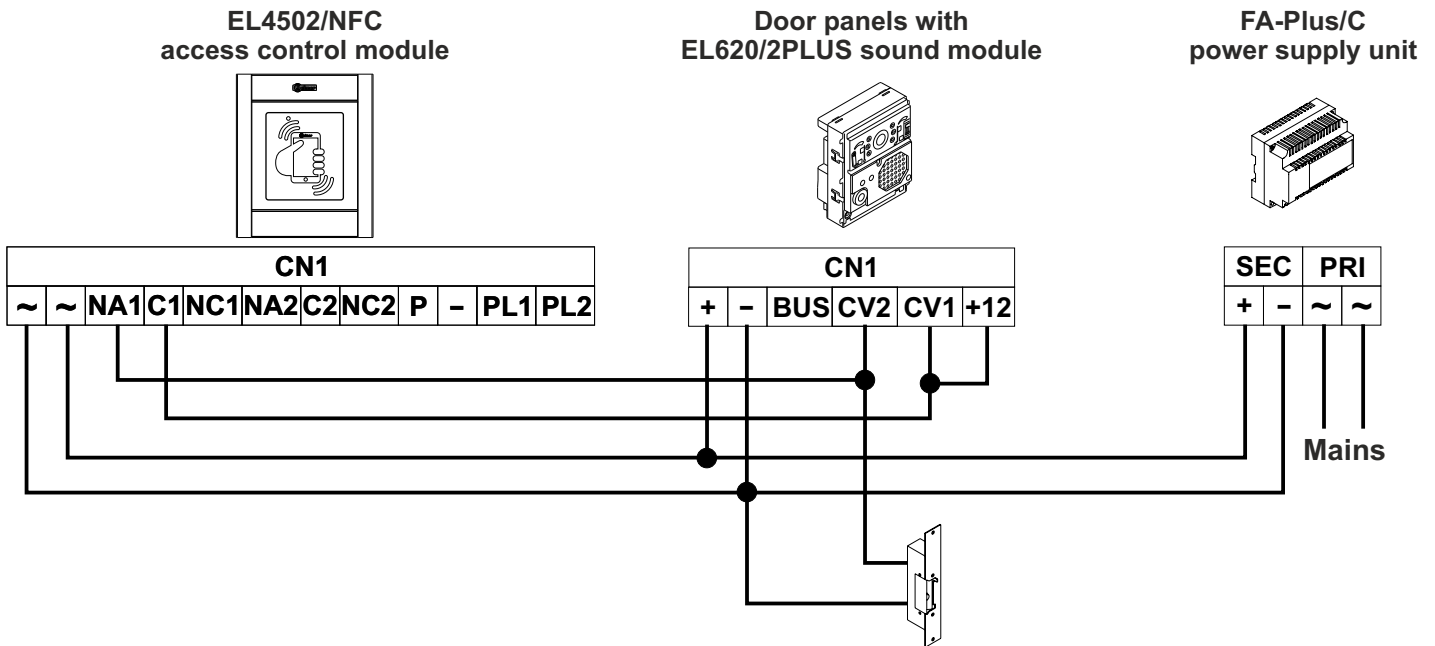
The wiring of the NFC access control module on Nexa Modular panels will vary depending on the type of installation. Use the same power supply unit as the panels.

Electronic or video access control systems with digital installation.

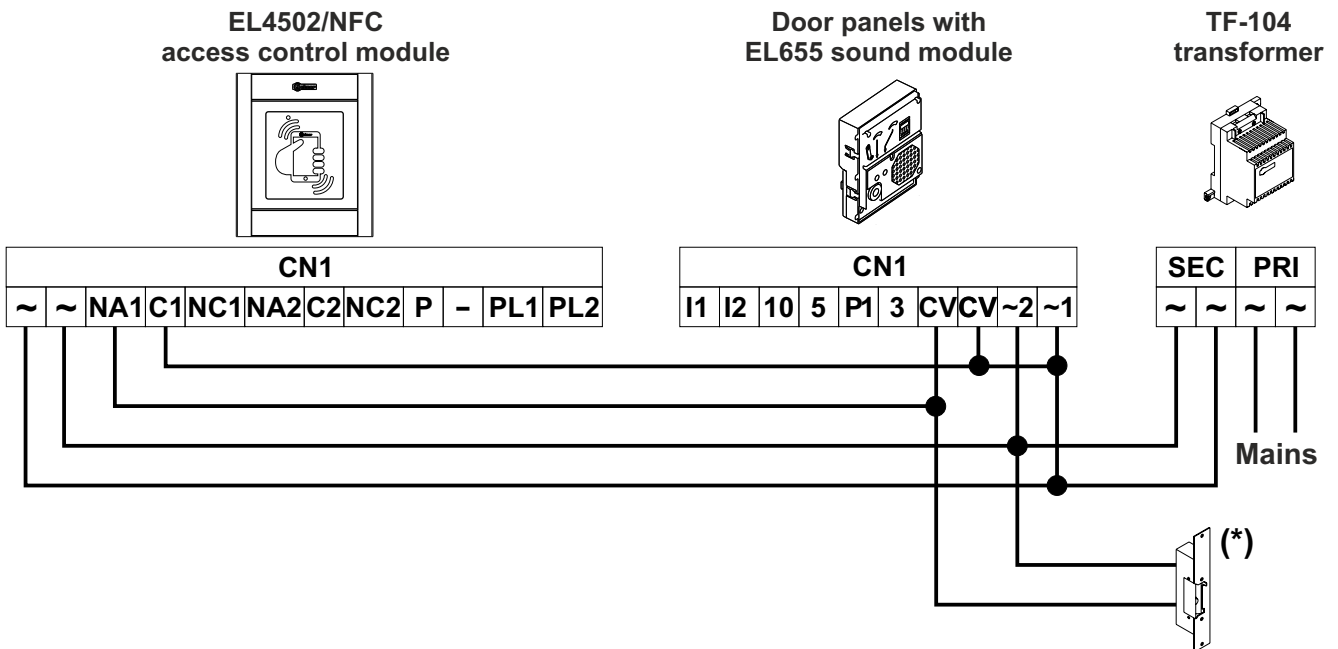


WIRING DIAGRAMS

Continued from previous page



Audio door entry systems with one access door and 4+ "n" installation.

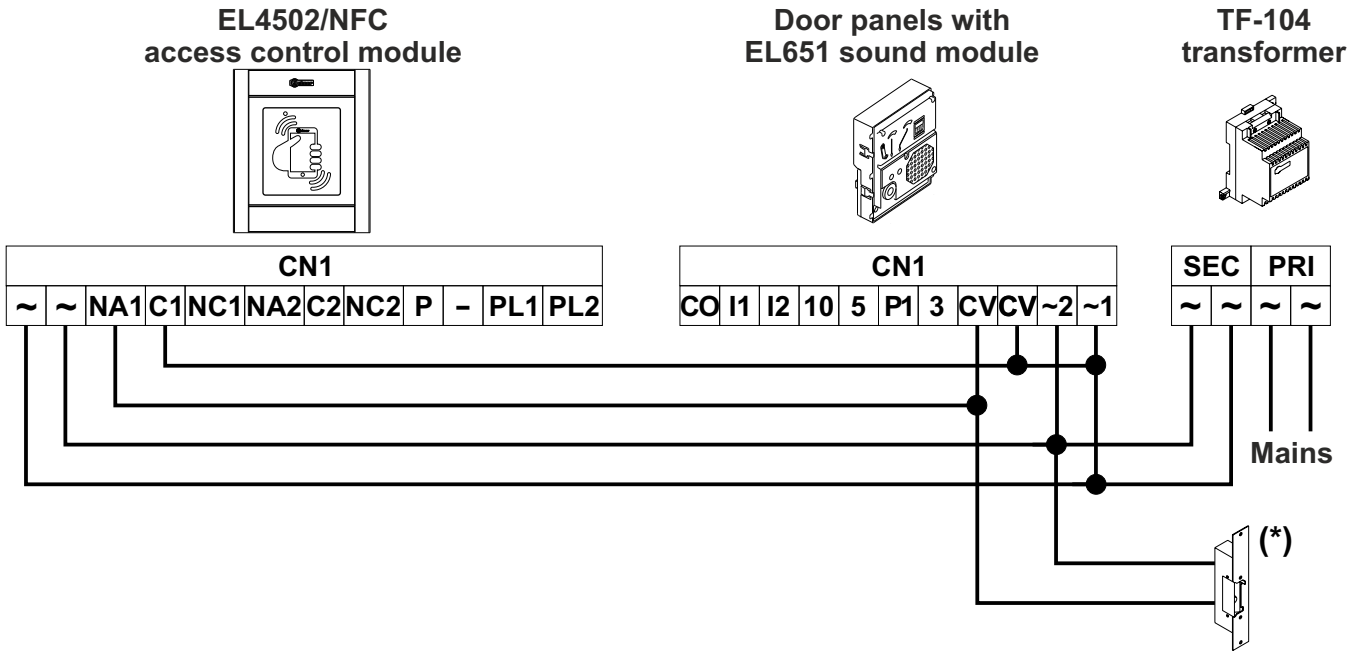


(*) Lock releases connected to audio door entry systems with 4+ "n" installation operate at 12Vac: fit the varistor supplied with the access control module directly to the lock release terminals.

WIRING DIAGRAMS

Continued from previous page

Audio door entry systems with several access doors and 4+"n" installation.



(*) Lock releases connected to audio door entry systems with 4+"n" installation operate at 12Vac: fit the varistor supplied with the access control module directly to the lock release terminals.

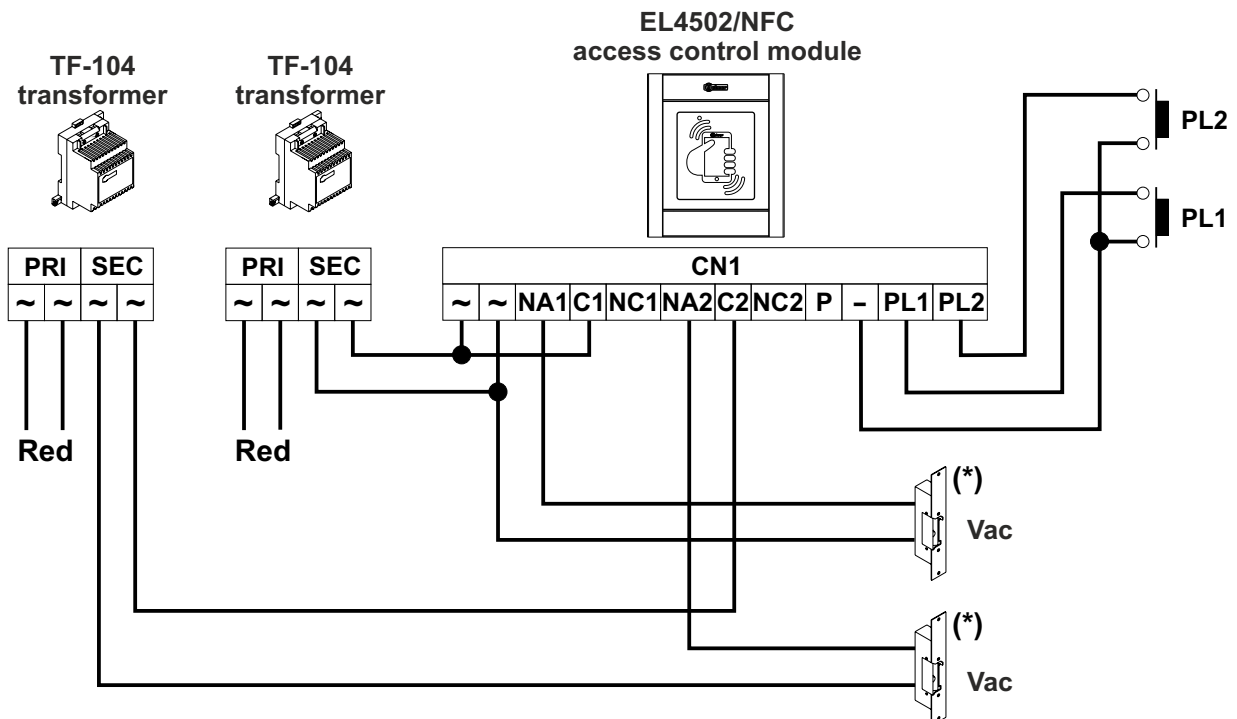
Standalone operation:

The wiring diagram shown below uses a TF-104 transformer (12Vac) to power the module.

(*) Use the varistor supplied if using an AC lock release directly on the terminals of the lock release.

If connecting two lock releases, use an additional TF-104 transformer.

If you wish to use a safety lock release with inverted functioning (the lock release activates in the absence of voltage), connect the lock release between C1 and NC1 or C2 and NC2.



COMPLIANCE:

Este producto es conforme con las disposiciones de las Directivas Europeas aplicables respecto a Equipos de Radio **2014/53/CEE**, a la Seguridad Eléctrica **2014/35/CEE** y la Compatibilidad Electromagnética **2014/30/CEE**.

*This product meets the essentials requirements of applicable European Directives regarding Radio Equipment **2014/53/ECC**, Electrical Safety **2014/35/ECC** and Electromagnetic Compatibility **2014/30/ECC**.*



NOTA: El funcionamiento de este equipo está sujeto a las siguientes condiciones:

(1) Este dispositivo no puede provocar interferencias dañinas, y (2) debe aceptar cualquier interferencia recibida, incluyendo las que pueden provocar un funcionamiento no deseado.

NOTE: Operation is subject to the following conditions:

(1) This device may not cause harmful interference, and (2) this device must accept any received interference, including the ones that may cause undesired operation.



golmar@golmar.es

www.golmar.es

GOLMAR S.A.
C/ Silici, 13
08940- Cornellá de Llobregat
SPAIN



Golmar se reserva el derecho a cualquier modificación sin previo aviso.

Golmar se réserve le droit de toute modification sans préavis.

Golmar reserves the right to make any modifications without prior notice.